

Gearbox Type:

LIS

Speed Range: 6 – 500 r.p.m.

In Line Reduction Multi-Spur Gear Units

Variable Speed A.C. – D.C. Series or D.C. Shunt Wound

Enclosures: Standard SD11 – SD12 Drip Proof Internal Fan Cooled (IP 23)

Alternative – Totally Enclosed (IP 50) with Terminal Box (IP 54)



SD 11 LIS



SD 12 LIS



SD 12 LIS with brake

Voltage, Construction, Connections, Motor Performance Specifications and Optional Extras see pages 44 and 46 for full details.

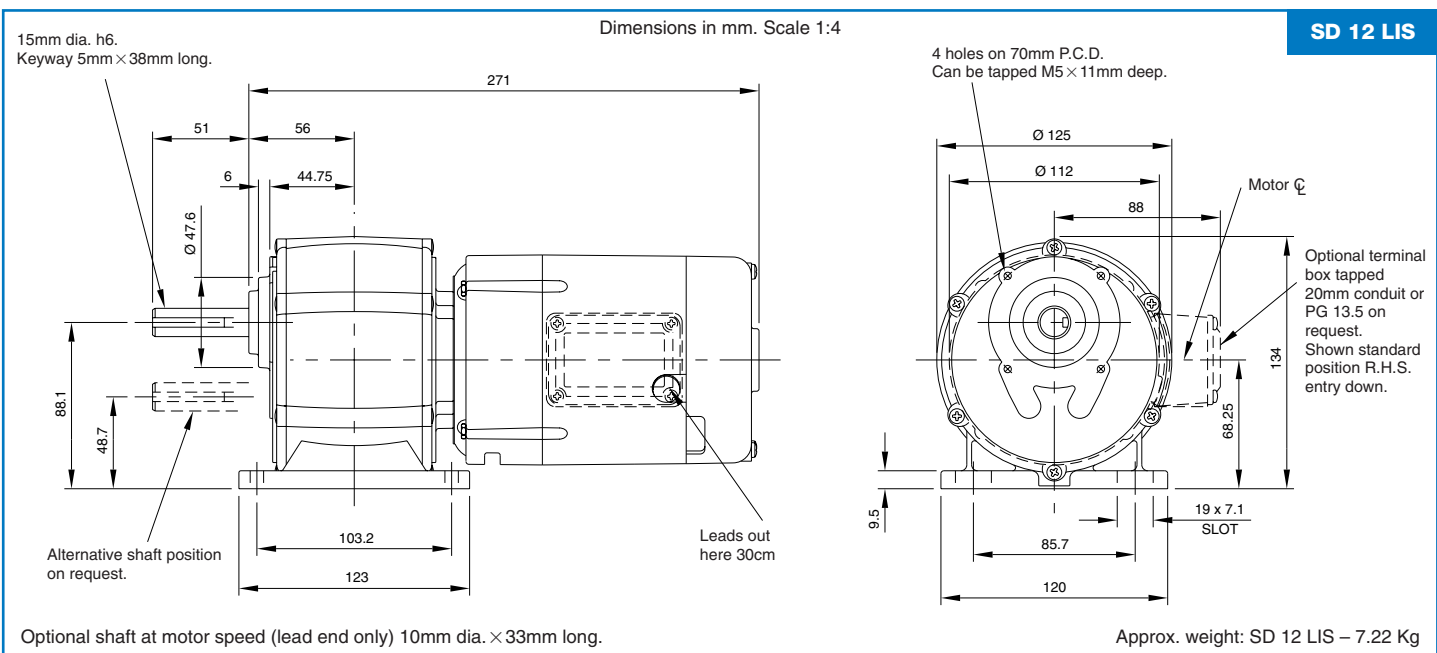
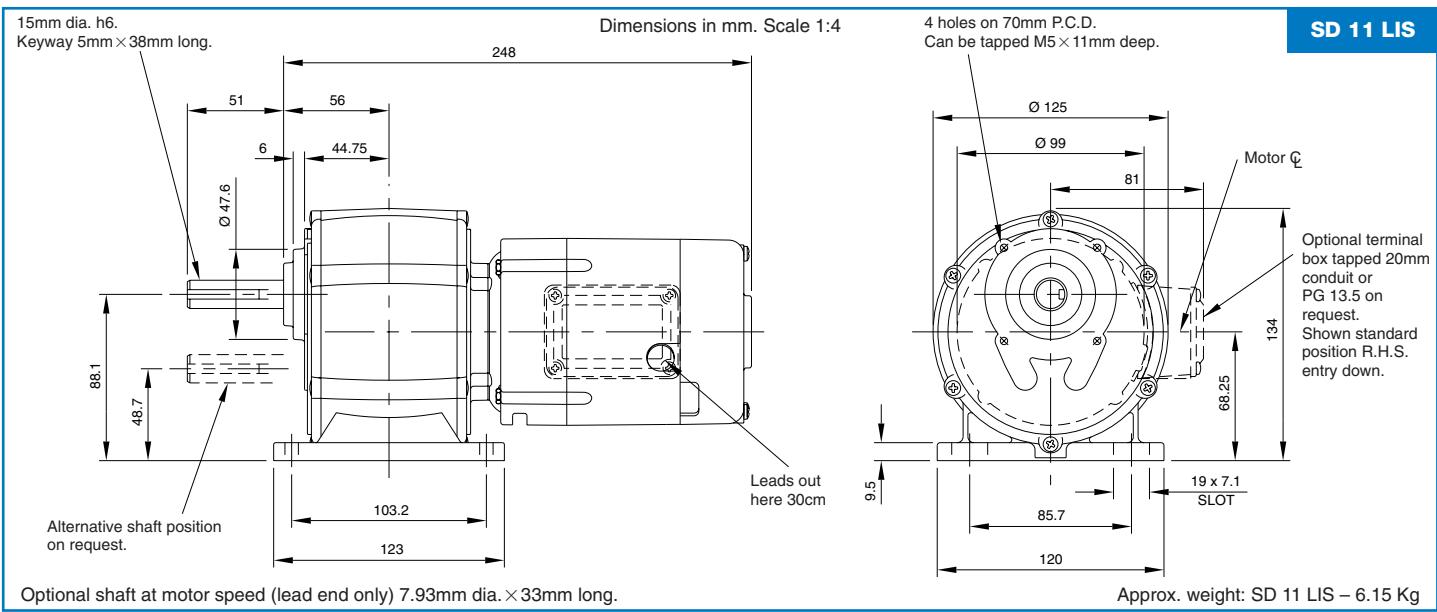
On request gearbox available without feet, can be mounted off of gearbox spigot tappings.

(1 Nm = 8.85 lbs. ins.) (1 Nm = 10.2 cmkp)

Gearbox Specification Motor Speed 2000 r.p.m.			SD 11 LIS		SD 12 LIS	
			Series Motor Rating 30 watts	Shunt Motor Rating 50 watts	Series Motor Rating 50 watts	Shunt Motor Rating 60 watts
FINAL R.P.M.	RATIO		OUTPUT TORQUE (Nm)			
	PINION	SPUR				
6	3:1	115:1	37	61	61	74
9	2:1	115:1	25	41	41	49
12	3:1	56:1	18	30	30	36
17	1:1	115:1	12	20	20	25
27	3:1	25:1	8	14	14	16
35	1:1	56:1	6	10	10	12
40	2:1	25:1	5	9	9	11
80	1:1	25:1	3	5	5	5
111	3:1	6:1	2	4	4	4
167	2:1	6:1	1	2	2	3
333	1:1	6:1	1	1	1	1

Gearbox Specification Motor Speed 2500 r.p.m.			SD 12 LIS	
			Series Motor Rating 75 watts	Shunt Motor Rating 75 watts
FINAL R.P.M.	RATIO		OUTPUT TORQUE (Nm)	
	PINION	SPUR		
7	3:1	115:1	74	74
11	2:1	115:1	49	49
15	3:1	56:1	36	36
22	1:1	115:1	25	25
33	3:1	25:1	16	16
45	1:1	56:1	13	13
50	2:1	25:1	11	11
100	1:1	25:1	5	5
140	3:1	6:1	4	4
210	2:1	6:1	3	3
420	1:1	6:1	1	1

Gearbox Specification Motor Speed 3000 r.p.m.			SD 11 LIS		SD 12 LIS	
			Series Motor Rating 75 watts	Shunt Motor Rating 95 watts	Series Motor Rating 95 watts	Shunt Motor Rating 125 watts
FINAL R.P.M.	RATIO		OUTPUT TORQUE (Nm)			
	PINION	SPUR				
9	3:1	115:1	61	74	74	74
13	2:1	115:1	41	52	52	68
18	3:1	56:1	30	38	38	50
26	1:1	115:1	20	26	26	34
40	3:1	25:1	14	17	17	23
53	1:1	56:1	10.5	13	13	17.5
60	2:1	25:1	9	11	11	15
120	1:1	25:1	5	6	6	8
167	3:1	6:1	4	4	4	6
250	2:1	6:1	2	3	3	4
500	1:1	6:1	1	1	1	2



Commutator series/shunt