

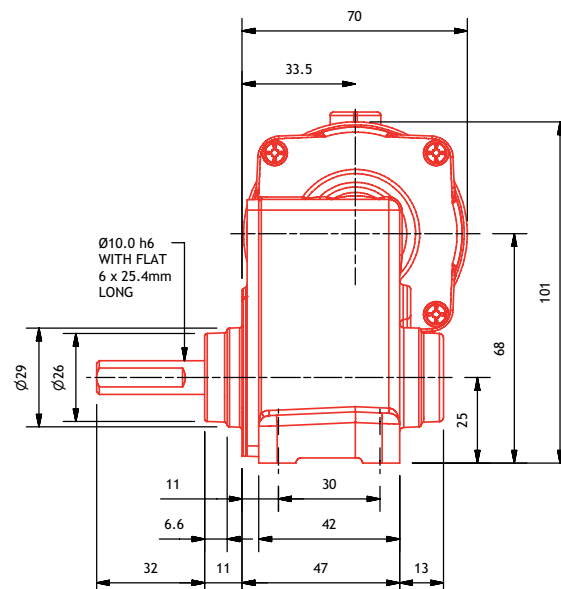
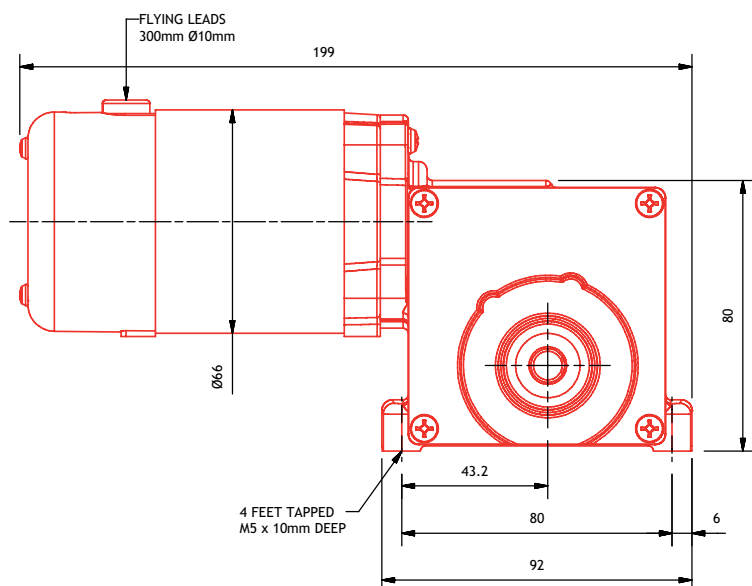
# PM10SWS

- MOTOR Permanent magnet DC motor
- PROTECTION Totally enclosed (IP54)
- GEARBOX Worm spur (SWS)
- MOTOR POWER 23 - 100 Watts
- SPEED 1 - 101 rpm
- VOLTAGE 12V - 220V DC available range
- WEIGHT 1.97 kg
- RADIAL LOAD 177 N
- AXIAL LOAD 112 N
- SHAFT TYPE Single ended or double ended shaft as standard
- EXTRAS See page 36



See page 158 to specify shaft and gearbox position

Motor Power Cont (W)	23	30	45	60	TORQUE (Nm)			
Motor Power 1 Hour (W)	28	38	55	75				
Motor Power 15 Min (W)	35	50	70	100				
Ratio Worm	Ratio Spur	MOTOR SPEED (rpm)				CONTINUOUS	1 HOUR	15 MINUTE
		1500	2000	3000	4000			
		OUTPUT SPEED (rpm)						
44	31.3	1	1.5	2	3	11	11	11
22 1/2	31.3	2	3	4	6	11	11	11
12 1/2	31.3	4	5	8	10	11	11	11
9 1/3	31.3	5	7	10	14	11	11	11
9 1/3	23.5	7	9	14	18	11	11	11
6 1/4	23.5	10	14	20	27	11	11	11
12 1/2	9.6	13	17	25	33	10	11	11
9 1/3	9.6	17	22	33	45	8	10	11
5 1/6	9.6	30	40	60	81	5	6	8
4 1/8	9.6	38	51	76	101	4	5	7



worm spur