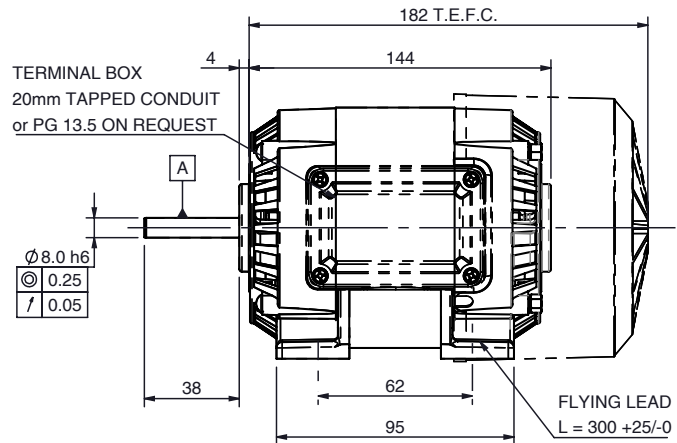
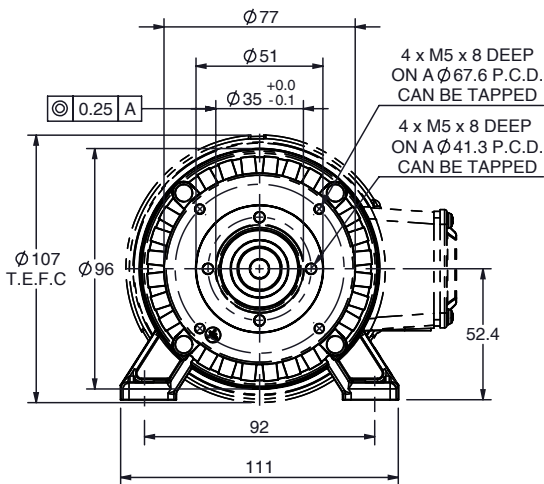


# SD28 (4-POLE) AC motor

Ø96 mm frame // 56 mm stack

all dimensions in mm

**parvalux**  
by **maxon**



## Part number key

Modular	#####
Standard	#####
Calculated data	#####

Please see our customisation options page for details on the modifications available on our products. Advice and guidance on these options are available from your local sales engineer.

**Note:** Terminal box and feet optional on this motor - please contact your local sales engineer for more information. Totally enclosed fan cooled (TEFC) option also available

## Technical data

1 Part number		-	-	-	-
2 Phases		1	1	3	3
3 Frequency	Hz	50	60	50	60
4 Nominal voltage	V AC	230/115	230/115	400/230	400/230
5 Nominal power	W	55	55	55	55
6 Nominal speed	rpm	1400	1700	1400	1700
7 Nominal continuous torque (S1)	Nm	0.38	0.31	0.38	0.38
8 Nominal continuous current (S1)	A	0.41	-	0.28	-
9 Starting Current	A	1.03	0	0.70	0
10 Input power	W	100	100	100	100
11 Capacitor Value	M.F.D	3.0/4.0	4.0/14.0	-	-
12 Starting torque full load	%	85	85	150	150
13 Stack length	mm	56	56	56	56
14 Number of poles		4	4	4	4
15 Rotor inertia	Kg/cm <sup>2</sup>	-	-	-	-

## Thermal data

16 Ambient temperature	°C	40
------------------------	----	----

## Mechanical data

17 Radial load [distance from flange]	N [mm]	150 [15]
---------------------------------------	--------	----------

## Other data

18 Weight	Kg	3.6
19 Enclosure		VENT/TEFC
20 IP Rating - Ventilated		IP20
21 IP Rating - TE/TEFC		IP54
22 Insulation Class		F
23 Type		Permanent capacitor, asynchronous
24 Direction		Reversible

## Compatible products

Gearbox	Page #	Brake	Page #
S Box	216	1.5 Nm	258
GB28	218	2.0 Nm	259
GB58	219		
M Box	222		
MWS	230		
GB36	231		
LIW	242		
PGx52	249		
LIS	244		
LWS	236		

Encoder	Page #
On request	-

## Key

Standard combination

Modular combination

# SD28 (4-POLE) combinations

Quickview - combination drawing and technical data

**parvalux**  
by **maxon**

Combination drawing		Technical data							
SD28-S-Box		Gear material <sup>1</sup>	Comp.	Comp.	Comp.	Bronze	Bronze	Bronze	
		Gear ratio <sup>2</sup>	:1	4	30	70	4	30	70
		Speed <b>rpm</b>	425.0	56.7	24.3	425.0	56.7	24.3	
		Nominal torque <b>Nm</b>	1.2	3.0	2.0	1.1	4.5	3.0	
SD28-GB28		Gear material <sup>1</sup>	Comp.	Comp.	Comp.	Bronze	Bronze	Bronze	
		Gear ratio <sup>2</sup>	:1	-	-	-	15	30	60
		Speed <b>rpm</b>	-	-	-	113.3	56.7	28.3	
		Nominal torque <b>Nm</b>	-	-	-	4.3	5.0	5.0	
SD28-GB58		Gear material <sup>1</sup>	Comp.	Comp.	Comp.	Bronze	Bronze	Bronze	
		Gear ratio <sup>2</sup>	:1	4	15	25	-	-	-
		Speed <b>rpm</b>	425.0	113.3	68.0	-	-	-	
		Nominal torque <b>Nm</b>	1.3	4.0	4.0	-	-	-	
SD28-M-Box		Gear material <sup>1</sup>	Comp.	Comp.	Comp.	Bronze	Bronze	Bronze	
		Gear ratio <sup>2</sup>	:1	4	30	72	4	30	72
		Speed <b>rpm</b>	425.0	56.7	23.6	425.0	56.7	23.6	
		Nominal torque <b>Nm</b>	1.3	8.0	5.0	1.1	7.0	8.0	
SD28-MWS		Gear material <sup>1</sup>	Comp.	Comp.	Comp.	Bronze	Bronze	Bronze	
		Gear ratio <sup>2</sup>	:1	24	120	1400	-	-	-
		Speed <b>rpm</b>	70.8	14.2	1.2	-	-	-	
		Nominal torque <b>Nm</b>	6.9	22.0	45.0	-	-	-	
SD28-GB36		Gear material <sup>1</sup>	Comp.	Comp.	Comp.	Bronze	Bronze	Bronze	
		Gear ratio <sup>2</sup>	:1	24	120	1400	-	-	-
		Speed <b>rpm</b>	70.8	14.2	1.2	-	-	-	
		Nominal torque <b>Nm</b>	6.9	22.0	45.0	-	-	-	
SD28-LIW		Gear material <sup>1</sup>	Comp.	Comp.	Comp.	Bronze	Bronze	Bronze	
		Gear ratio <sup>2</sup>	:1	36	400	1200	36	400	1200
		Speed <b>rpm</b>	47.2	4.3	1.4	47.2	4.3	1.4	
		Nominal torque <b>Nm</b>	10.1	28.0	28.0	10.1	45.0	45.0	
SD28-PGx52		Gear material <sup>1</sup>	Comp.	Comp.	Comp.	Bronze	Bronze	Bronze	
		Gear ratio [stages] <sup>2</sup>	:1	-	-	-	3.9 [1]	44 [2]	172 [3]
		Speed <b>rpm</b>	-	-	-	435.9	38.6	9.9	
		Nominal torque <b>Nm</b>	-	-	-	1.4	15.0	30.0	
SD28-LIS		Gear material <sup>1</sup>	Comp.	Comp.	Comp.	Bronze	Bronze	Bronze	
		Gear ratio <sup>2</sup>	:1	6	50	115	-	-	-
		Speed <b>rpm</b>	283.3	34.0	14.8	-	-	-	
		Nominal torque <b>Nm</b>	1.8	14.6	33.6	-	-	-	
SD28-LWS		Gear material <sup>1</sup>	Comp.	Comp.	Comp.	Bronze	Bronze	Bronze	
		Gear ratio <sup>2</sup>	:1	48	672	3450	-	-	-
		Speed <b>rpm</b>	35.4	2.5	0.5	-	-	-	
		Nominal torque <b>Nm</b>	12.4	100.0	100.0	-	-	-	

## Key

Standard combination / standard gear ratio

**Modular combination / modular gear ratio**

## Notes

<sup>1</sup> Comp. = Composite gears

<sup>2</sup> Full gear ratio options displayed on individual gearbox datasheets

→ Technical data displayed above calculated based on **SD28 (4-POLE) 3 Phase 60Hz** motor.

→ Simplified drawings displayed above show overall envelope size of the combination. Please see individual motor and gearbox datasheets for detailed technical drawings.