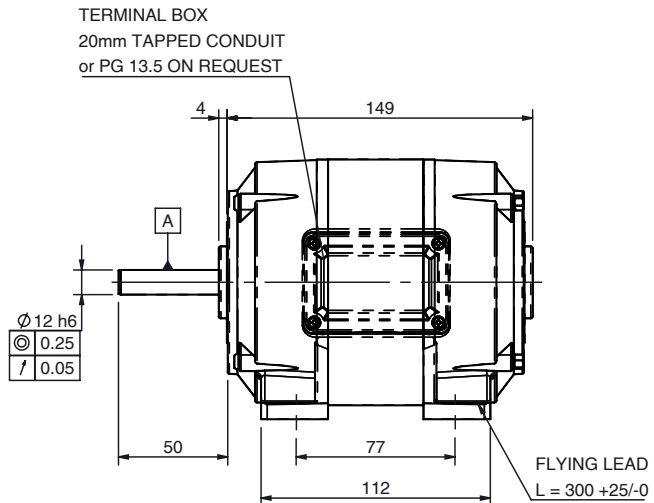
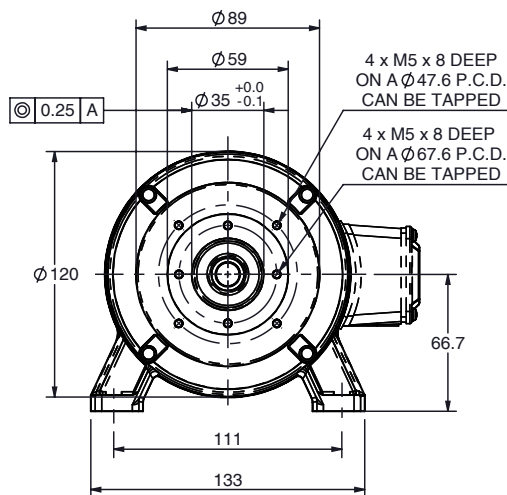


SD13 (4-POLE) AC motor

Ø120 mm frame // 46 mm stack

all dimensions in mm

parvalux
by **maxon**



Part number key

Modular	#####
Standard	#####
Calculated data	#####

Please see our customisation options page for details on the modifications available on our products. Advice and guidance on these options are available from your local sales engineer.

Note: Terminal box and feet optional on this motor - please contact your local sales engineer for more information.

Technical data

1 Part number		-	-	-	-
2 Phases		1	1	3	3
3 Frequency	Hz	50	60	50	60
4 Nominal voltage	V AC	230/115	230/115	400/230	400/230
5 Nominal power	W	100	100	125	125
6 Nominal speed	rpm	1400	1700	1400	1700
7 Nominal continuous torque (S1)	Nm	0.68	0.56	0.85	0.70
8 Nominal continuous current (S1)	A	0.76	-	0.44	-
9 Starting Current	A	1.9	0	1.1	0
10 Input power	W	180	180	210	210
11 Capacitor Value	M.F.D	6.0	6.0/24.0	-	-
12 Starting torque full load	%	75	75	200	200
13 Stack length	mm	46	46	46	46
14 Number of poles		4	4	4	4
15 Rotor inertia	Kg/cm ²	-	-	-	-

Thermal data

16 Ambient temperature	°C	40
------------------------	----	----

Mechanical data

17 Radial load [distance from flange]	N [mm]	200 [15]
---------------------------------------	--------	----------

Other data

18 Weight	Kg	5.4
19 Enclosure		VENT/TEFC
20 IP Rating - Ventilated		IP20
21 IP Rating - TE/TEFC		IP54
22 Insulation Class		F
23 Type		Permanent capacitor, asynchronous
24 Direction		Reversible

Compatible products

Gearbox	Page #	Brake	Page #
M Box	222	1.5 Nm	258
L Box	224	2.0 Nm	259
MWS	230		
LIW	242		
PGx70	250		
GB12	232		
GB9	234		
LIS	244		
LWS	236		
GB65	238		

Encoder	Page #
On request	-

Key

Standard combination

Modular combination

SD13 (4-POLE) combinations

Quickview - combination drawing and technical data

parvalux
by **maxon**

Combination drawing		Technical data							
SD13-M-Box		Gear material ¹	Comp.	Comp.	Comp.	Bronze	Bronze	Bronze	
		Gear ratio ²	:1	4	30	72	4	30	72
		Speed	rpm	425.0	56.7	23.6	425.0	56.7	23.6
		Nominal torque	Nm	2.4	8.0	5.0	2.1	12.0	8.0
SD13-L-Box		Gear material ¹	Comp.	Comp.	Comp.	Bronze	Bronze	Bronze	
		Gear ratio ²	:1	5	30	60	5	30	60
		Speed	rpm	340.0	56.7	28.3	340.0	56.7	28.3
		Nominal torque	Nm	3.2	15.0	15.0	2.9	13.7	18.9
SD13-MWS		Gear material ¹	Comp.	Comp.	Comp.	Bronze	Bronze	Bronze	
		Gear ratio ²	:1	24	120	1400	-	-	-
		Speed	rpm	70.8	14.2	1.2	-	-	-
		Nominal torque	Nm	9.0	22.0	45.0	-	-	-
SD13-LIW		Gear material ¹	Comp.	Comp.	Comp.	Bronze	Bronze	Bronze	
		Gear ratio ²	:1	36	400	1200	36	400	1200
		Speed	rpm	47.2	4.3	1.4	47.2	4.3	1.4
		Nominal torque	Nm	18.6	28.0	28.0	18.6	45.0	45.0
SD13-PGX70		Gear material ¹	Comp.	Comp.	Comp.	Bronze	Bronze	Bronze	
		Gear ratio [stages] ²	:1	-	-	-	3.9 [1]	21 [2]	44 [2]
		Speed	rpm	-	-	-	435.9	81.0	38.6
		Nominal torque	Nm	-	-	-	2.6	13.5	28.3
SD13-GB12		Gear material ¹	Comp.	Comp.	Comp.	Bronze	Bronze	Bronze	
		Gear ratio ²	:1	12.5	30	75	12.5	30	75
		Speed	rpm	136.0	56.7	22.7	136.0	56.7	22.7
		Nominal torque	Nm	7.4	15.1	18.0	7.0	13.7	23.6
SD13-GB9		Gear material ¹	Comp.	Comp.	Comp.	Bronze	Bronze	Bronze	
		Gear ratio ²	:1	12.5	30	75	12.5	30	75
		Speed	rpm	136.0	56.7	22.7	136.0	56.7	22.7
		Nominal torque	Nm	7.9	15.8	26.3	7.4	14.7	23.6
SD13-US		Gear material ¹	Comp.	Comp.	Comp.	Bronze	Bronze	Bronze	
		Gear ratio ²	:1	6	50	115	-	-	-
		Speed	rpm	283.3	34.0	14.8	-	-	-
		Nominal torque	Nm	3.2	27.0	62.0	-	-	-
SD13-LWS		Gear material ¹	Comp.	Comp.	Comp.	Bronze	Bronze	Bronze	
		Gear ratio ²	:1	48	672	3450	-	-	-
		Speed	rpm	35.4	2.5	0.5	-	-	-
		Nominal torque	Nm	22.8	100.0	100.0	-	-	-
SD13-GB65		Gear material ¹	Comp.	Comp.	Comp.	Bronze	Bronze	Bronze	
		Gear ratio ²	:1	-	-	-	20	80	160
		Speed	rpm	-	-	-	85.0	21.3	10.6
		Nominal torque	Nm	-	-	-	11.3	39.2	48.2

Key

Standard combination / standard gear ratio

Modular combination / modular gear ratio

Notes

¹ Comp. = Composite gears

² Full gear ratio options displayed on individual gearbox datasheets

→ Technical data displayed above calculated based on **SD13 (4-POLE) 3 Phase 60Hz** motor.

→ Simplified drawings displayed above show overall envelope size of the combination. Please see individual motor and gearbox datasheets for detailed technical drawings.