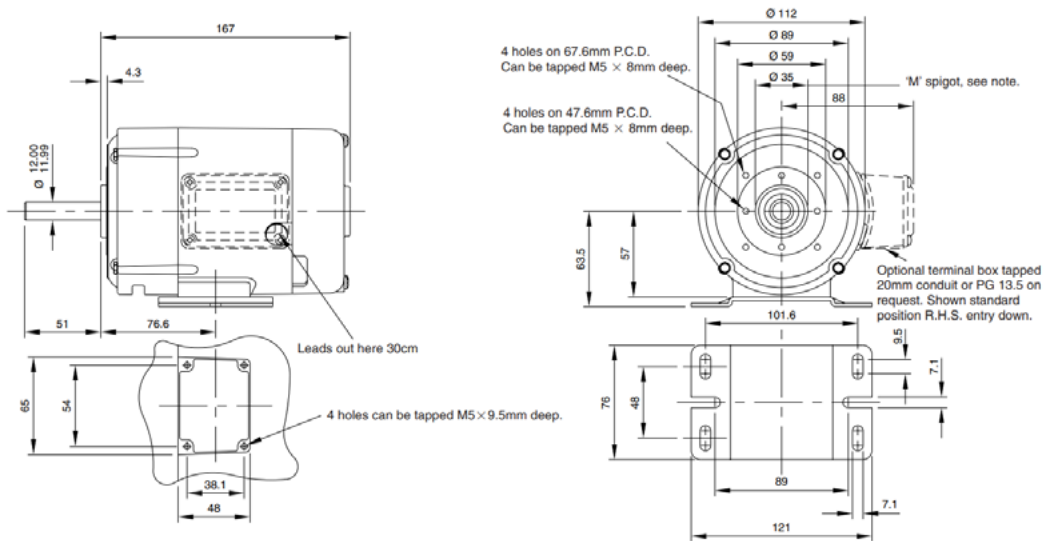


SD12 shunt AC/DC motor

80 x 64 mm frame

parvalux
by **maxon**



all dimensions in mm

Part number key

Modular	#####
Standard	#####
Calculated data	#####

Please see our customisation options page for details on the modifications available on our products. Advice and guidance on these options are available from your local sales contact.

Note: Brakes are not available on TEFC (Totally Enclosed Fan Cooled) motors.

Technical data

1 Part number		-	-	-	-
2 Minimum voltage available	V	12	12	24	24
3 Nominal power	W	60	75	125	150
4 Nominal speed	rpm	2000	2500	3000	4000
5 Nominal continuous torque (S1)	Nm	0.29	0.29	0.40	0.36
6 Input current 240 V DC	A	0.40	0.60	0.82	1.00
7 Input current 220 V DC	A	0.46	0.65	0.90	1.10
8 Approximate starting current	A	3 x full load	3 x full load	3 x full load	3 x full load
9 Input power	W	115	140	200	265

Thermal data

16 Ambient temperature	°C	40
------------------------	-----------	----

Mechanical data

17 Radial load [distance from flange]	N [mm]	200 [15]
---------------------------------------	---------------	----------

Other data

18 Weight	Kg	3.57
19 Enclosure		VENT/TENC
20 IP Rating - Ventilated		IP23
21 IP Rating - TENC [with terminal box]		IP50 [IP54]
22 Insulation Class		F
23 Type		Shunt wound
24 Direction		Reversible

Compatible products

Gearbox	+L mm	Brake	+L mm
M Box	85	0.4 Nm	35
MWS	110		
MIW	83		
L Box	108		
LWS	127		
LIW	102		
LIS	108		

+L mm = approximate added length*

Compatible products key

Product name	Standard combination
Product name	Modular combination

*additional length may also be required for mounting flange between components