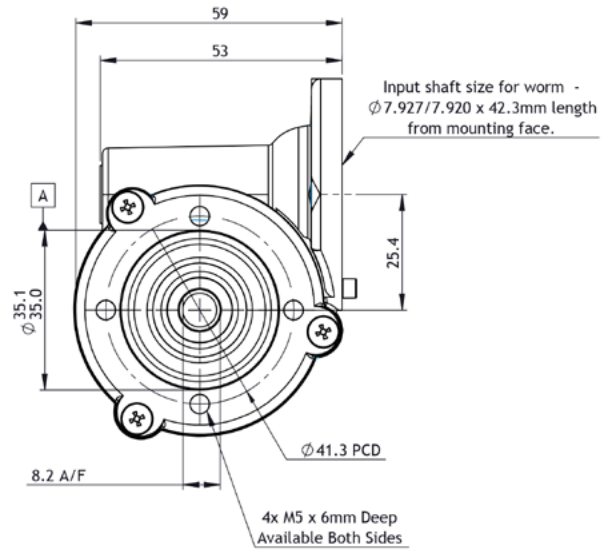
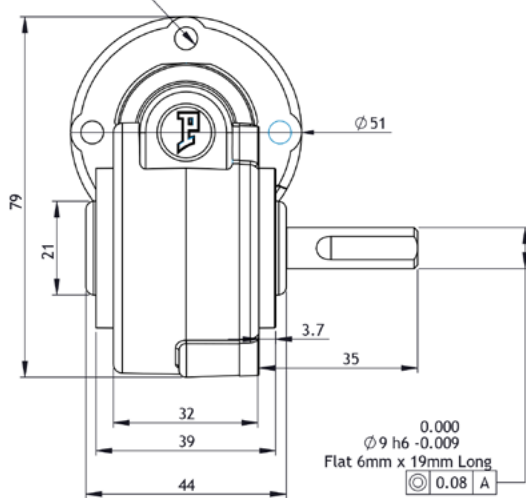


Mounting holes -  $\phi 5.1$  on 41.3 PCD



all dimensions in mm

### Part number key

Modular	#####
Standard	#####
Calculated data	#####

<sup>1</sup>Other ratios available on request (:1): 6, 7, 8, 9, 11, 12, 13, 14, 16, 18, 22, 25, 27, 36, 44, 54, 66

### Technical data

1 Part number		-	-	-	-	-	-	-	-	-	-
2 Gear ratio <sup>1</sup>	:1	4	5	10	15	20	30	40	48	60	70
3 Stages		1	1	1	1	1	1	1	1	1	1
4 Max. continuous torque (S1) <sup>2</sup>	Nm	4.5	4.5	4.5	4.5	4.5	4.5	4.5	3.8	3.3	3.0
5 Max. intermittent torque	Nm	7.2	7.2	7.2	7.2	7.2	7.2	7.2	6.0	5.3	4.8
6 Efficiency	%	70	70	70	65	61	57	52	48	42	35
7 Backlash	arc.min	10-25	10-25	10-25	10-25	10-25	10-25	10-25	10-25	10-25	10-25
8 Max. axial load (dynamic)	N	150	150	150	150	150	150	150	150	150	150
9 Max. radial load, 12 mm from flange	N	250	250	250	250	250	250	250	250	250	250
10 Weight	Kg	0.4	0.4	0.4	0.4	0.4	0.4	0.4	0.4	0.4	0.4
11 Gear material		Bronze	Bronze	Bronze	Bronze	Bronze	Bronze	Bronze	Bronze	Bronze	Bronze

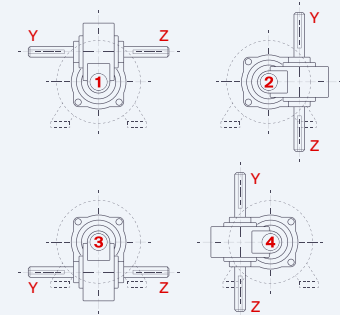
<sup>2</sup> S1 duty cycle based on 3000 RPM input speed

### Compatible products

BLDC	+L mm	PMDC	+L mm	AC	+L mm
PBL42-15	47	BRx42-25	70	SD1	119
PBL42-30	67	BRx42-40	85	SD8	125
PBL60-50	90	BRx52-30	95	SD21	95
PBL60-70	110	BRx52-58	125	SD28	144
BLx60-40	87	BRx63-25	95	SD29	147
		BRx63-55	125	SD38	128
		PM7	84	SD41	107
		PM8	97		
		PM9	110		
		PM10	107		
		PM11	126		

+L mm = approximate added length\*

### Gearbox output position



### Compatible products key

Product name	Standard combination
Product name	Modular combination

\*additional length may also be required for mounting flange between components