

all dimensions in mm

Part number key

Modular	#####
Standard	#####
Calculated data	#####

¹Other ratios available on request (!): 6, 8, 9, 12, 13, 14, 18, 25, 33, 44, 54, 66

Technical data

1 Part number		-	-	-	-	-	-	-	-	-	-
2 Gear ratio ¹	:1	4	5	10	16	20	30	40	48	60	72
3 Stages		1	1	1	1	1	1	1	1	1	1
4 Max. continuous torque (S1) ²	Nm	8.0	8.0	8.0	8.0	8.0	8.0	8.0	8.0	6.0	5.0
5 Max. intermittent torque	Nm	13.0	13.0	13.0	13.0	13.0	13.0	13.0	13.0	10.0	8.0
6 Efficiency	%	85	85	82	77	74	70	65	58	54	46
7 Backlash	arc.min	10-25	10-25	10-25	10-25	10-25	10-25	10-25	10-25	10-25	10-25
8 Max. axial load (dynamic)	N	300	300	300	300	300	300	300	300	300	300
9 Max. radial load, 12 mm from flange	N	350	350	350	350	350	350	350	350	350	350
10 Weight	Kg	0.7	0.7	0.7	0.7	0.7	0.7	0.7	0.7	0.7	0.7
11 Gear material		Composite	Composite	Composite	Composite	Composite	Composite	Composite	Composite	Composite	Composite

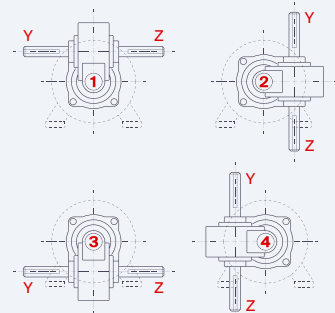
² S1 duty cycles based on 3000 RPM input speed

Compatible products

BLDC	+L mm	PMDC	+L mm	AC	+L mm
PBL60-50	90	BRx63-25	95	SD1	119
PBL60-70	110	BRx63-55	125	SD8	125
BLx60-40	87	PM1	149	SD11	144
		PM2	162	SD12	167
		PM3	137	SD13	152
		PM4	149	SD18	158
		PM5	162	SD28	144
		PM6	175	SD29	147
		PM10	107	SD38	128
		PM11	126	SD48	170
		PM50	162		
		PM60	193		

+L mm = approximate added length*

Gearbox output position



Compatible products key

Product name	Standard combination
Product name	Modular combination

*additional length may also be required for mounting flange between components