

all dimensions in mm

### Part number key

Modular	#####
Standard	#####
Calculated data	#####

<sup>1</sup>Other ratios available on request (-1): 7, 9

### Technical data

1 Part number		-	-	-	-	-	-	-	-
2 Gear ratio <sup>1</sup>	:1	5	12	15	20	25	30	40	60
3 Stages		1	1	1	1	1	1	1	1
4 Max. continuous torque (S1) <sup>2</sup>	Nm	19.0	19.0	19.0	19.0	19.0	19.0	19.0	19.0
5 Max. intermittent torque	Nm	22.0	22.0	22.0	22.0	22.0	22.0	22.0	22.0
6 Efficiency	%	84	80	75	73	72	65	60	45
7 Backlash	arc.min	10-25	10-25	10-25	10-25	10-25	10-25	10-25	10-25
8 Max. axial load (dynamic)	N	132	132	132	132	132	132	132	132
9 Max. radial load, 12 mm from flange	N	177	177	177	177	177	177	177	177
10 Weight	Kg	1.9	1.9	1.9	1.9	1.9	1.9	1.9	1.9
11 Gear material		Bronze	Bronze	Bronze	Bronze	Bronze	Bronze	Bronze	Bronze

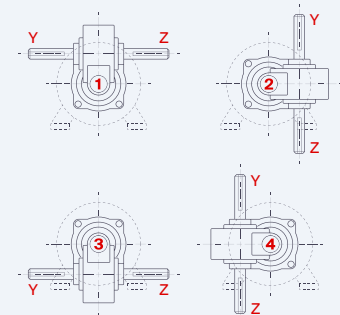
<sup>2</sup> S1 duty cycle based on 3000 RPM input speed

### Compatible products

BLDC	+L mm	PMDC	+L mm	AC	+L mm
PBL70-70	114	PM1	149	SD11	144
PBL70-80	124	PM2	163	SD12	167
		PM3	137	SD13	152
		PM4	149	SD18	158
		PM5	162	SD48	170
		PM6	175		
		PM50	162		
		PM60	193		
		PM90-150	153		
		PM90-180	183		

+L mm = approximate added length\*

### Gearbox output position



### Compatible products key

Product name	Standard combination
Product name	Modular combination

\*additional length may also be required for mounting flange between components