

all dimensions in mm

Part number key

Modular	#####
Standard	#####
Calculated data	#####

Notes: Custom shaft available on request, max diameter 20mm. Double exit and hollow shaft (11mm bore) available. Casting finish - shot blast with m/c features (powder coating on request)

¹Other ratios available on request (:1): 6, 8, 11, 12, 13, 16, 22

Technical data

1 Part number		-	-	-	-	-	-	-	-	-	-
2 Gear ratio ¹	:1	4	5	7	9	10	14	15	18	20	25
3 Stages		1	1	1	1	1	1	1	1	1	1
4 Max. continuous torque (S1) ²	Nm	4.0	4.0	4.0	4.0	4.0	4.0	4.0	4.0	4.0	4.0
5 Max. intermittent torque	Nm	8.0	8.0	8.0	8.0	8.0	8.0	8.0	8.0	8.0	8.0
6 Efficiency	%	85	84	82	80	80	76	75	73	72	68
7 Backlash	arc.min	10-25	10-25	10-25	10-25	10-25	10-25	10-25	10-25	10-25	10-25
8 Max. axial load (dynamic)	N	300	300	300	300	300	300	300	300	300	300
9 Max. radial load, 12 mm from flange	N	400	400	400	400	400	400	400	400	400	400
10 Weight	Kg	0.4	0.4	0.4	0.4	0.4	0.4	0.4	0.4	0.4	0.4
11 Gear material		Composite	Composite	Composite	Composite	Composite	Composite	Composite	Composite	Composite	Composite

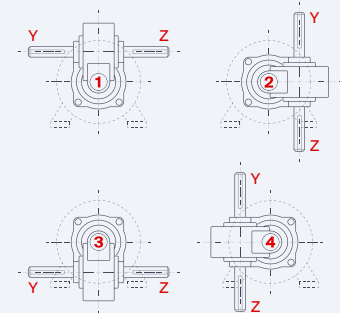
² S1 duty cycle based on 2000 RPM input speed

Compatible products

BLDC	+L mm	PMDC	+L mm	AC	+L mm
PBL60-50	90	BRx42-25	70	SD8	125
PBL60-70	110	BRx42-40	85	SD21	95
BLx60-40	87	BRx52-30	95	SD28	144
		BRx52-58	125	SD29	147
		BRx63-25	95	SD38	128
		BRx63-55	125	SD41	107
		PM7	84		
		PM8	97		
		PM9	110		
		PM10	107		
		PM11	126		

+L mm = approximate added length*

Gearbox output position



Compatible products key

Product name	Standard combination
Product name	Modular combination

*additional length may also be required for mounting flange between components