

all dimensions in mm

Part number key

Modular	#####
Standard	#####
Calculated data	#####

Technical data

1 Part number		735904	-	735906	-	735907
2 Gear ratio	:1	15	25	30	50	60
3 Stages		1	1	1	1	1
4 Max. continuous torque (S1) ¹	Nm	5.0	5.0	5.0	5.0	5.0
5 Max. intermittent torque	Nm	8.0	8.0	8.0	8.0	8.0
6 Efficiency	%	75	70	65	50	45
7 Backlash	arc.min	10-25	10-25	10-25	10-25	10-25
8 Max. axial load (dynamic)	N	300	300	300	300	300
9 Max. radial load, 12 mm from flange	N	400	400	400	400	400
10 Weight	Kg	0.83	0.83	0.83	0.83	0.83
11 Gear material		Bronze	Bronze	Bronze	Bronze	Bronze

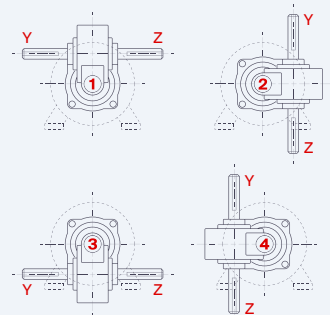
¹ S1 duty cycle based on 3000 RPM input speed

Compatible products

BLDC	+L mm	PMDC	+L mm	AC	+L mm
PBL42-15	47	BRx52-30	95	SD8	125
PBL42-30	67	BRx52-58	125	SD21	95
PBL60-50	90	BRx63-25	95	SD28	144
PBL60-70	110	BRx63-55	125	SD29	147
BLx60-40	87	PM7	84	SD38	128
		PM8	97	SD41	107
		PM9	110		
		PM10	107		
		PM11	126		

+L mm = approximate added length*

Gearbox output position



Compatible products key

Product name	Standard combination
Product name	Modular combination