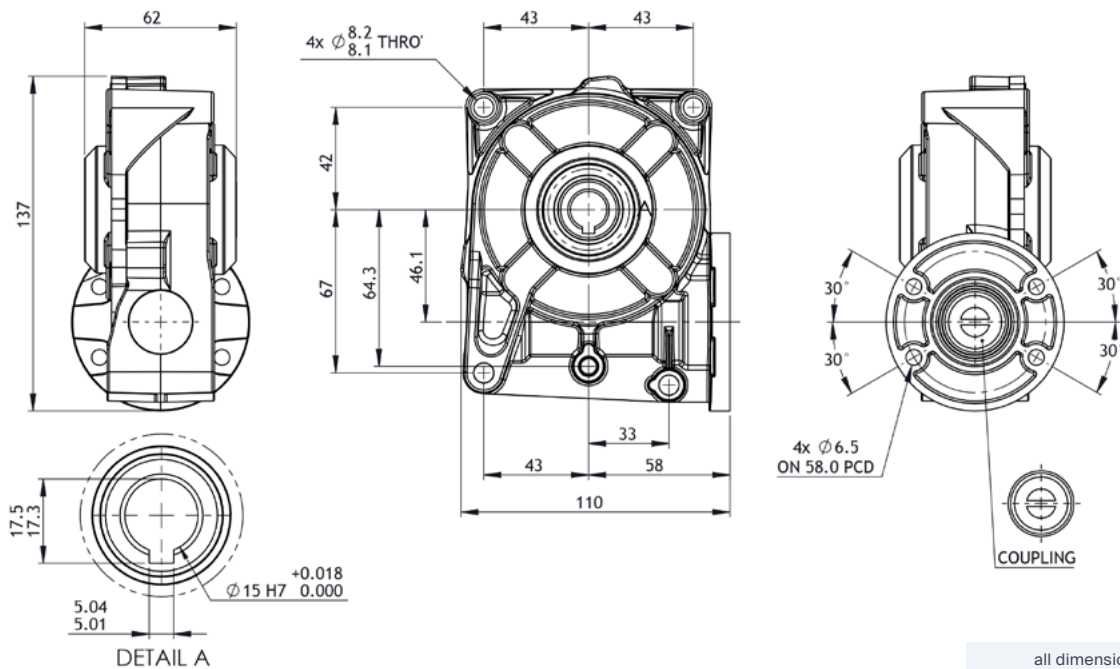


GB12 Right-angle gearbox // Bronze gears

12.5:1 - 75:1 ratio // 48.0 Nm

parvalux
by **maxon**



all dimensions in mm

Part number key

Modular	#####
Standard	#####
Calculated data	#####

Technical data

1 Part number	-	-	-	735900	-	-	-	735901	-	735902	-
2 Gear ratio	:1	12.5	14	15	19	21	25	30	50	60	75
3 Stages		1	1	1	1	1	1	1	1	1	1
4 Max. continuous torque (S1) ¹	Nm	30.0	30.0	30.0	30.0	30.0	30.0	30.0	30.0	30.0	27.0
5 Max. intermittent torque	Nm	48.0	48.0	48.0	48.0	48.0	48.0	48.0	48.0	48.0	43.0
6 Efficiency	%	80	75	75	73	73	72	65	55	50	45
7 Backlash	arc.min	10-25	10-25	10-25	10-25	10-25	10-25	10-25	10-25	10-25	10-25
8 Max. axial load (dynamic)	N	600	600	600	600	600	600	600	600	600	600
9 Max. radial load, 12 mm from flange	N	800	800	800	800	800	800	800	800	800	800
10 Weight	Kg	1.5	1.5	1.5	1.5	1.5	1.5	1.5	1.5	1.5	1.5
11 Gear material		Bronze	Bronze	Bronze	Bronze	Bronze	Bronze	Bronze	Bronze	Bronze	Bronze

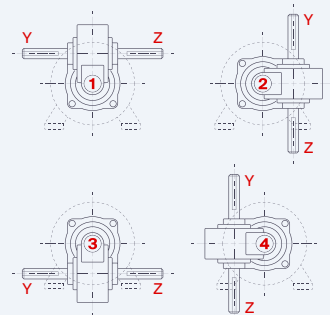
¹ S1 duty cycle based on 3000 RPM input speed

Compatible products

BLDC	+L mm	PMDC	+L mm	PMDC	+L mm	AC	+L mm
PBL60-50	90	BRx63-25	95	PM70-125	125	SD13	152
PBL60-70	110	BRx63-55	125	PM70-146	146	SD18	158
PBL70-70	114	BRx70-40	125	PM90-150	153	SD48	170
PBL70-80	124	BRx70-60	146	PM90-180	183		
PBL86-55	111	BRx90-50	153	EPM50-25	119		
PBL86-80	136	BRx90-75	183	EPM50-38	130		
BLx60-40	87	PM1	149	EPM50-50	145		
		PM2	162	EPM50-63	155		
		PM3	137	EPM63-50	150		
		PM4	149	EPM63-50 (V)	163		
		PM5	162	EPM63-75	175		
		PM6	175	EPM63-75 (V)	188		
		PM50	162	EPM63-100	200		
		PM60	193	EPM63-100 (V)	213		

(V) = ventilated
+L mm = approximate added length*

Gearbox output position



Compatible products key

Product name	Standard combination
Product name	Modular combination