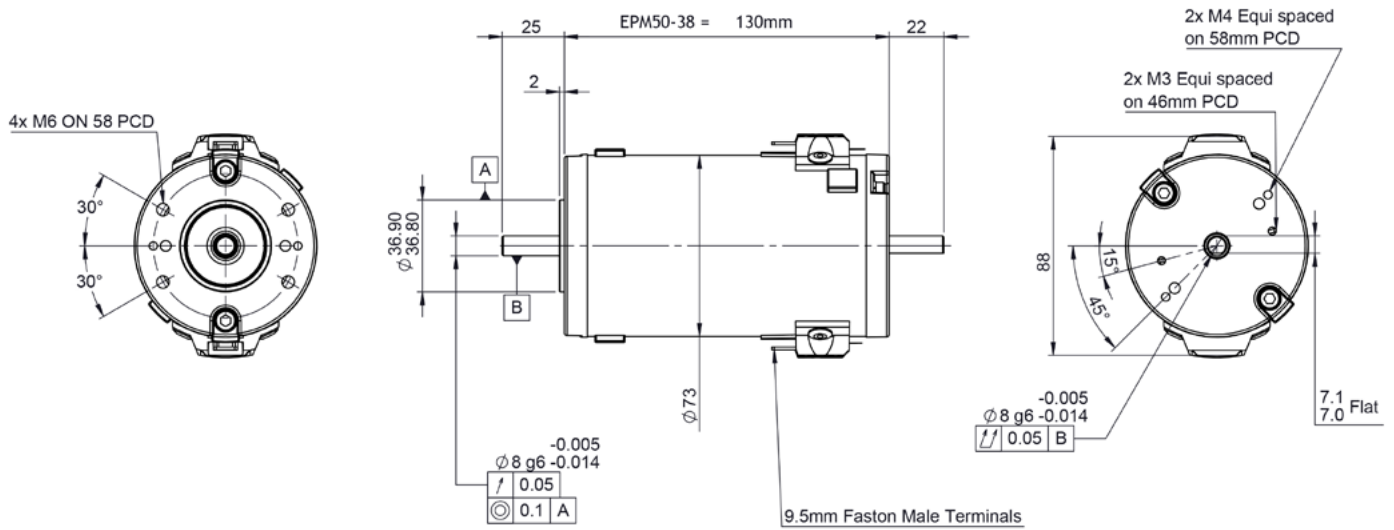


EPM50-38 PMDC motor

Ø73 mm frame // 38 mm stack

parvalux
by **maxon**



all dimensions in mm

Part number key

Modular	#####
Standard	#####
Calculated data	#####

Please see our customisation options page for details on the modifications available on our products. Advice and guidance on these options are available from your local sales contact.

Technical data

1 Part number		-	-	-	-
2 Nominal power	W	94	94	94	94
3 Nominal voltage	V	12	24	40	48
4 No load speed	rpm	3807	3827	3939	3920
5 No load current	A	1.4	0.57	0.35	0.29
6 Nominal speed	rpm	3000	3000	3000	3000
7 Nominal continuous torque (S1)	Nm	0.3	0.3	0.3	0.3
8 Nominal continuous current (S1)	A	11.0	5.5	3.4	2.8
9 Max. intermittent torque (S2 - 15 minutes)	Nm	0.50	0.50	0.50	0.50
10 Stall current	A	76	32	20	17
11 Stall torque	Nm	2.3	1.9	1.9	1.9
12 Stack length	mm	38	38	38	38
13 Maximum efficiency	%	78	77	77	77
14 Terminal resistance	Ω	0.159	0.760	1.990	2.900
15 Terminal inductance	mH	-	-	-	-
16 Speed constant	rpm/V	312	156	96	80
17 Torque constant	Nm/A	0.031	0.060	0.098	0.120
18 Speed torque gradient	rpm/Nm	1646	2041	2041	2041
19 Rotor inertia	Kgcm²	1.57 x 10 ⁻⁴	1.57 x 10 ⁻⁴	1.57 x 10 ⁻⁴	1.57 x 10 ⁻⁴

Thermal data

20 Ambient temperature	°C	40
------------------------	-----------	----

Mechanical data

21 Radial load [distance from flange]	N [mm]	150 [15]
---------------------------------------	---------------	----------

Other data

22 Number of poles		2
23 Weight	kg	1.60
24 IP rating		IP44
25 Enclosure		Enclosed
26 Insulation Class		F
27 Reversible		Yes

Compatible products

Gearbox	+L mm	Brake	+L mm	Controller
GB12	110	1.5 Nm	28.2	SC 50/15
GB80	80	2.0 Nm	32.2	ESCON
				EPOS
Encoder		+L mm		
		Optical	9	
		Magnetic	12	

+L mm = approximate added length*

Compatible products key

Product name	Standard combination
Product name	Modular combination

*additional length may also be required for mounting flange between components