

all dimensions in mm

Part number key

Modular	#####
Standard	#####
Calculated data	#####

Technical data

1 Part number		888018	888020	888021
2 Gear ratio ¹	:1	15	30	60
3 Stages		1	1	1
4 Max. continuous torque (S1) ^{2,3}	Nm	8.0	8.0	6.0
5 Max. intermittent torque ³	Nm	13.0	13.0	10.0
6 Efficiency	%	77	70	54
7 Backlash	arc.min	10-25	10-25	10-25
8 Max. axial load (dynamic)	N	300	300	300
9 Max. radial load, 12 mm from flange	N	350	350	350
10 Weight	Kg	0.7	0.7	0.7
11 Gear material		Composite	Composite	Composite

² S1 duty cycle based on 3000 RPM input speed ³ Please refer to the thermal rating limits of the gearbox found on page 255

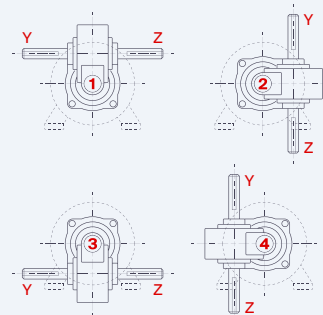
Compatible products

BLDC	+L mm	PMDC	+L mm
PBL60-50	90.0	BRx52-30	95.0
PBL60-70	110.0	BRx52-58	125.0
		BRx63-25	95.0
		BRx63-55	125.0
		BRx70-25	125.0
		BRx70-60	146.0

Shaft extension

860809

Gearbox output position



Key

Standard combination

Modular combination

+L mm = approximate added length*

*additional length may also be required for mounting flange between components