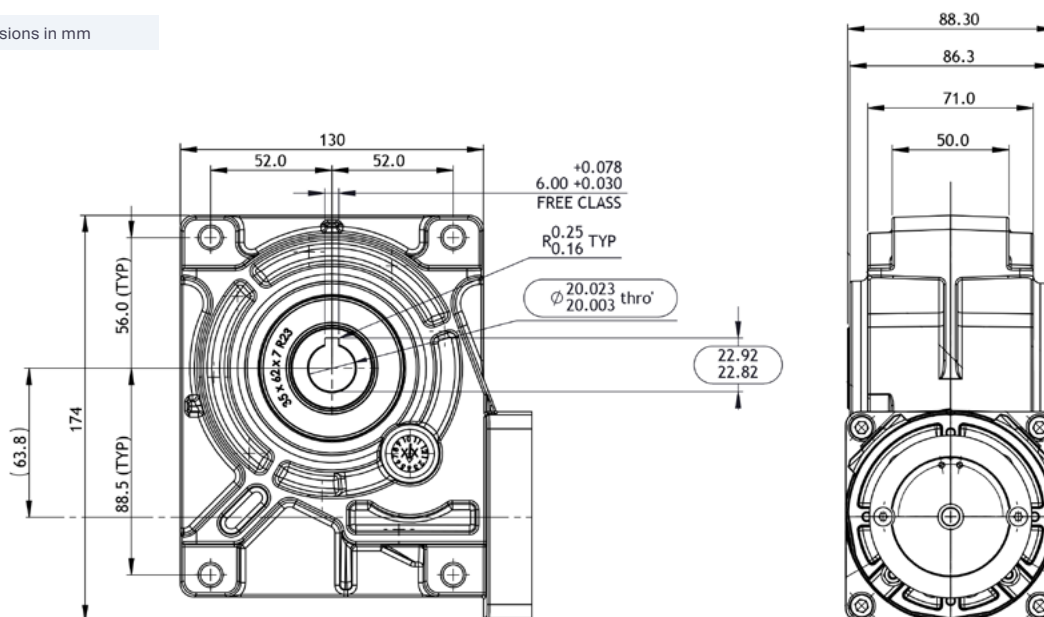


all dimensions in mm



Part number key

Modular	#####
Standard	#####
Calculated data	#####

Technical data

1 Part number	-	-	827934	-
2 Gear ratio	:1	80	100	120
3 Stages		2	2	2
4 Max. continuous torque (S1) ¹	Nm	120.0	120.0	120.0
5 Max. intermittent torque	Nm	300.0	300.0	300.0
6 Efficiency	%	70	65	60
7 Backlash	arc.min	35	35	35
8 Max. axial load (dynamic)	N	-	-	-
9 Max. radial load, 12 mm from flange	N	2335	2335	2335
10 Weight	Kg	3.5	3.5	3.5
11 Gear material ²		S / B	S / B	S / B

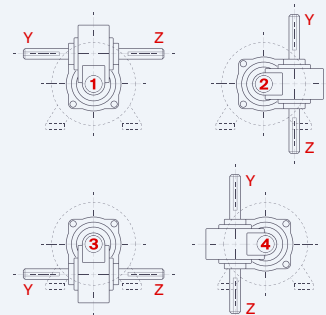
¹ S1 duty cycle based on 3000 RPM input speed ² Gear material: C = Composite, S = Steel, B = Bronze

Compatible products

BLDC	+L mm	PMDC	+L mm	AC	+L mm
PBL86-55	111	BRx90-50	153	SD13	152
PBL86-80	136	BRx90-75	183	SD18	158
				SD48	170

+L mm = approximate added length*

Gearbox output position



Compatible products key

Product name	Standard combination
Product name	Modular combination