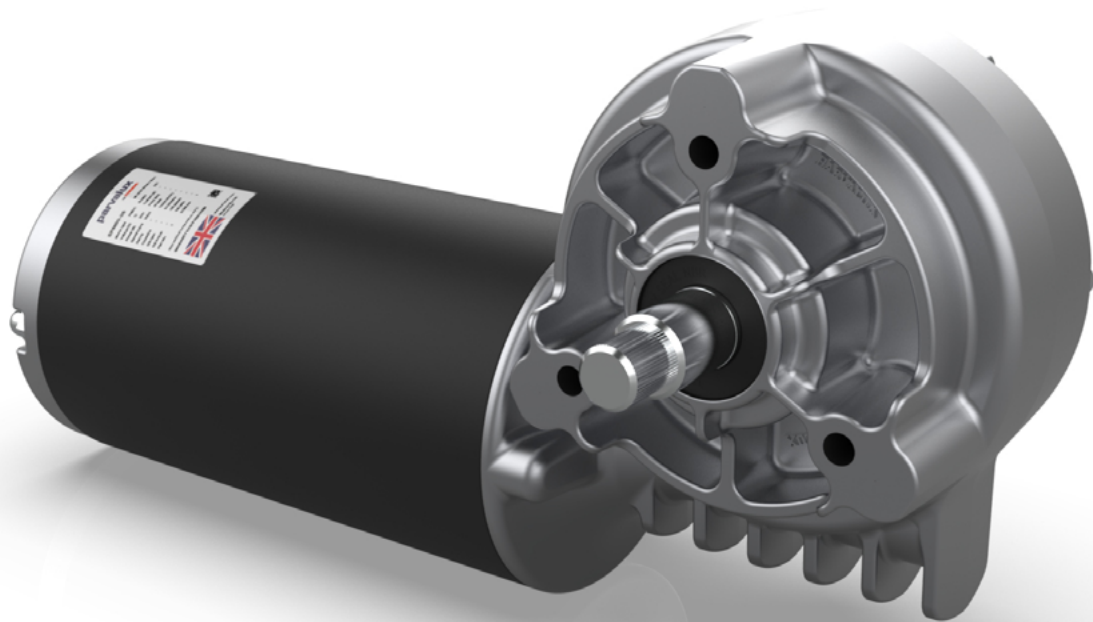


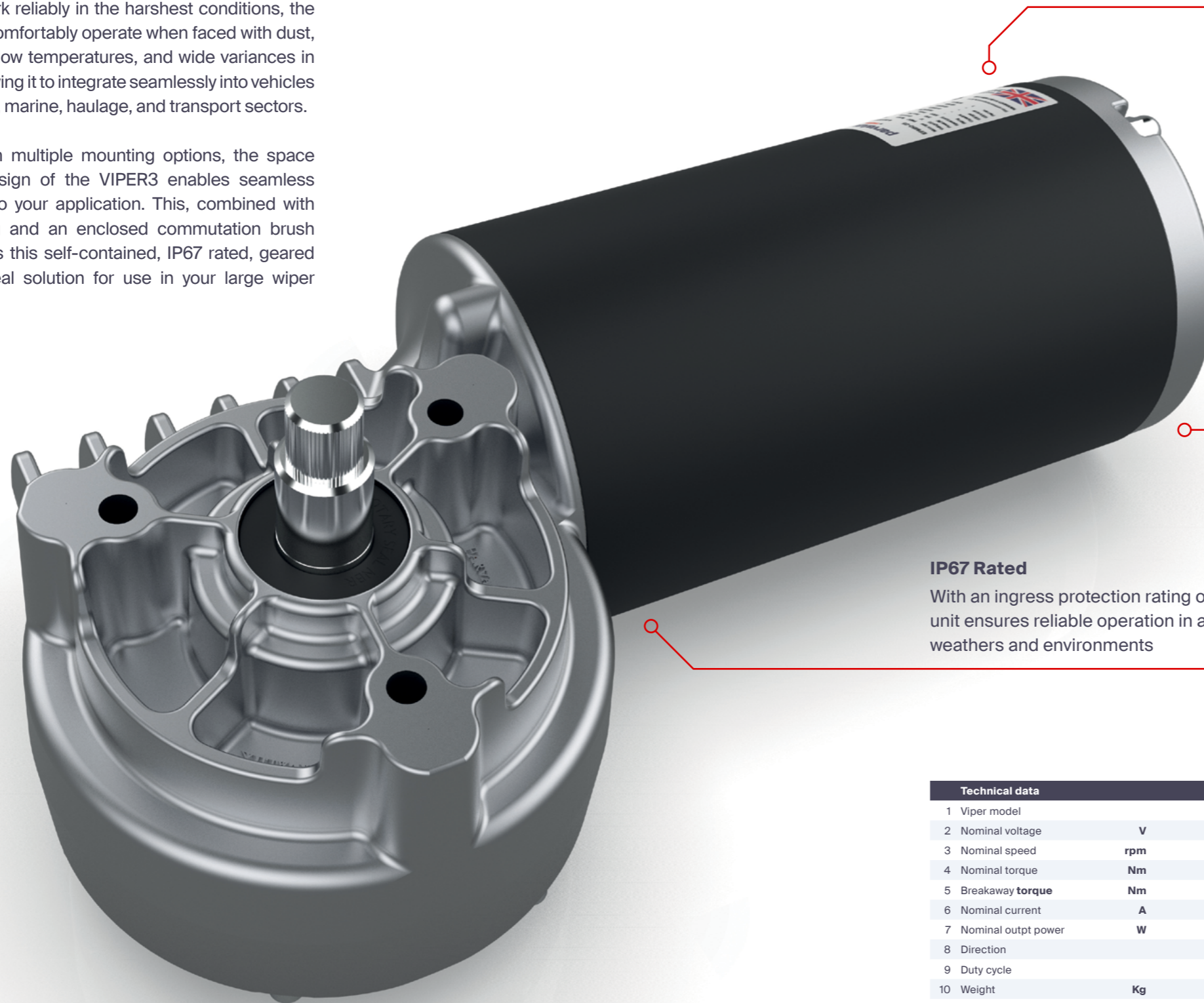
**VIPER3** The ultimate in wiper motor technology



# VIPER3

Trusted to work reliably in the harshest conditions, the VIPER3 can comfortably operate when faced with dust, liquid, high & low temperatures, and wide variances in humidity, allowing it to integrate seamlessly into vehicles across the rail, marine, haulage, and transport sectors.

Equipped with multiple mounting options, the space conscious design of the VIPER3 enables seamless integration into your application. This, combined with internal wiring and an enclosed commutation brush design, makes this self-contained, IP67 rated, geared motor the ideal solution for use in your large wiper system.



## Large brush design

The large brush design of the VIPER3 reduces wear on the brushes in the higher speed modes of the system, ensuring reliable operation hour after hour, day after day

## Mode switching

Separate mode switch with internally routed wiring ensures a clean and minimal design

## Compact design

Space conscious design means external measurements of just 280 x 126 x 145 mm

## IP67 Rated

With an ingress protection rating of IP67, the unit ensures reliable operation in a variety of weathers and environments



## High Performance gear wear

Reduced gear wear compared to other systems on the market, made possible through the use of composite materials, a larger diameter gear and a one-piece worm spindle

## Adaptable mounting

Adaptable mounting and added support structures offer excellent reliability and a quick and easy integration into your rail, marine, transport or haulage wiper system

### Technical data

1 Viper model		80 Series	110 Series
2 Nominal voltage	V	24 / 48 / 110 / 220	24 / 48 / 110 / 220
3 Nominal speed	rpm	2 speed - 21 / 36 or 30 / 45	2 speed - 21 / 36 or 30 / 45
4 Nominal torque	Nm	9.0 / 6.5	15.0 / 10.0
5 Breakaway torque	Nm	80.0	110.0
6 Nominal current	A	3.0 / 3.7 (rated at 24 V, 35 / 40 rpm unit)	5.0 / 6.2 (rated at 24 V, 35 / 40 rpm unit)
7 Nominal outpt power	W	51.0 / 56.0 (rated at 24 V, 35 / 40 rpm unit)	86.0 / 86.0 (rated at 24 V, 35 / 40 rpm unit)
8 Direction		Clockwise or counter-clockwise	Clockwise or counter-clockwise
9 Duty cycle		S1	S1
10 Weight	Kg	4.0	4.5
11 EMC compliance		EN50121-3-2 2015	EN50121-3-2 2015
12 IP rating		IP67	IP67
13 Enclosure		TENC	TENC
14 Mounting	mm	Gearbox housing - 3x M8 on Ø72.0 PCD	Gearbox housing - 3x M10 on Ø90.0 PCD
15 Output shaft	mm	Ø12.9, 60 tooth splined	Ø12.9, 60 tooth splined / Ø15.0 60 tooth splined

# Technical drawing

all dimensions in mm

