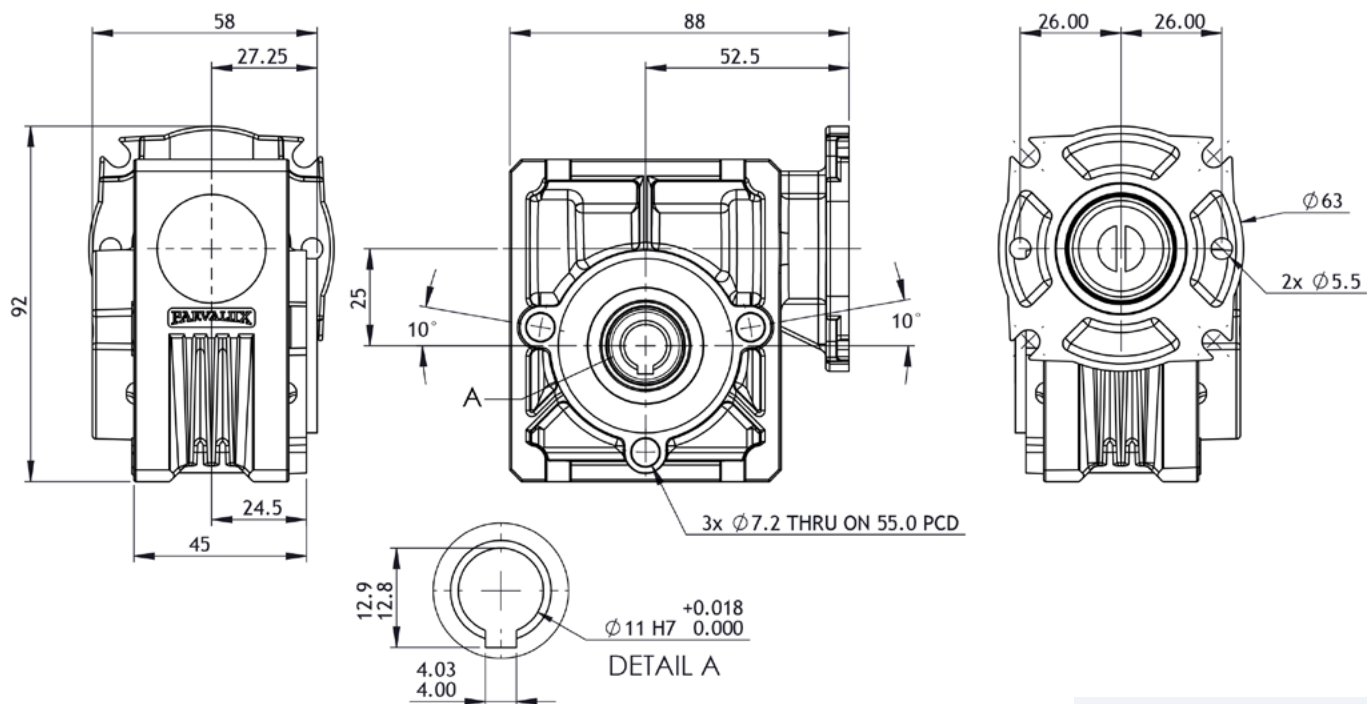


# GB28 Right-angle gearbox // Bronze gears

15:1 - 60:1 ratio // 8.0 Nm

**parvalux**  
by **maxon**



all dimensions in mm

## Part number key

Modular	#####
Standard	#####
Calculated data	#####

## Technical data

1 Part number		735904	735906	735907
2 Gear ratio	:1	15	30	60
3 Stages		1	1	1
4 Max. continuous torque (S1) <sup>1</sup>	<b>Nm</b>	5.0	5.0	5.0
5 Max. intermittent torque	<b>Nm</b>	8.0	8.0	8.0
6 Efficiency	%	75	65	45
7 Backlash	<b>arc.min</b>	10-25	10-25	10-25
8 Max. axial load (dynamic)	<b>N</b>	300	300	300
9 Max. radial load, 12 mm from flange	<b>N</b>	400	400	400
10 Weight	<b>Kg</b>	0.83	0.83	0.83
11 Gear material		Bronze	Bronze	Bronze

<sup>1</sup> S1 duty cycle based on 3000 RPM input speed

## Modular system

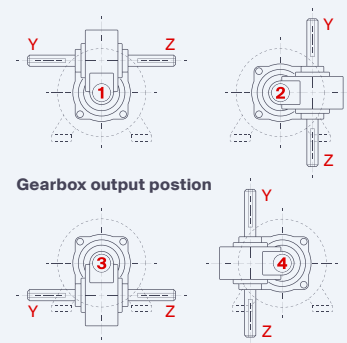
BLDC motor	+L mm
PBL42-15	47
PBL42-35	67
PBL60-50	90
PBL60-70	110

+L mm = approximate added length\*

PMDC motor	+L mm
BRx63-40	95
BRx63-55	125



Shaft extension kit  
735908



\*additional length may also be required for mounting flange between components