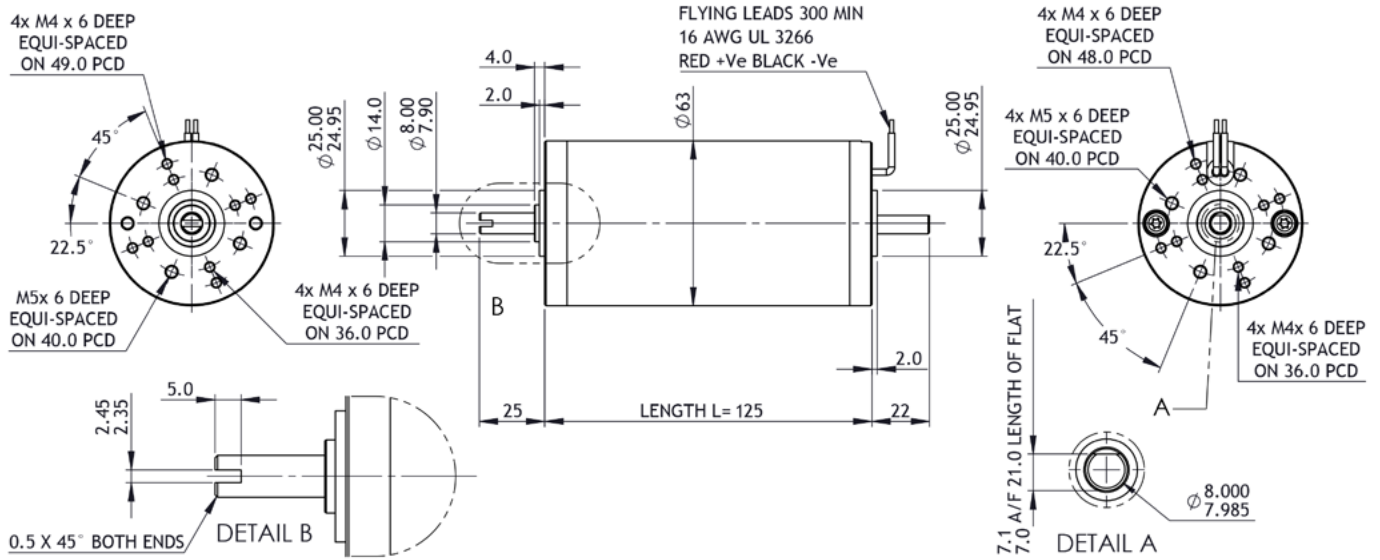


# BRx63-55 PMDC motor

Ø63 mm frame // 55 mm stack

**parvalux**  
by **maxon**



all dimensions in mm

### Part number key

Modular	#####
Standard	#####
Calculated data	#####

### Technical data

1 Part number		781088	781089	781090
2 Nominal power	<b>W</b>	79	85	85
3 Nominal voltage	<b>V</b>	12	24	48
4 No load speed	<b>rpm</b>	3665	3617	3613
5 No load current	<b>A</b>	0.70	0.31	0.18
6 Nominal speed	<b>rpm</b>	2800	3000	3000
7 Nominal continuous torque (S1)	<b>Nm</b>	0.27	0.27	0.27
8 Nominal continuous current (S1)	<b>A</b>	9.2	4.7	2.4
9 Max. intermittent torque (S2 - 15 minutes)	<b>Nm</b>	0.45	0.45	0.45
10 Stall current	<b>A</b>	38.3	27.9	19.2
11 Stall torque	<b>Nm</b>	1.16	1.65	2.20
12 Stack length	<b>mm</b>	55	55	55
13 Maximum efficiency	<b>%</b>	76	81	85
14 Terminal resistance - phase to phase	<b>Ω</b>	0.745	0.593	2.300
15 Terminal inductance - phase to phase	<b>mH</b>	0.198	0.92	3.60
16 Speed constant	<b>rpm/V</b>	303.1	150.9	75.4
17 Torque constant	<b>Nm/A</b>	0.03	0.06	0.10
18 Speed torque gradient	<b>rpm/Nm</b>	3181	2336	1741
19 Rotor inertia	<b>Kgcm<sup>2</sup></b>	9.3 x 10 <sup>-6</sup>	9.3 x 10 <sup>-6</sup>	9.3 x 10 <sup>-6</sup>

### Thermal data

20 Ambient temperature	<b>°C</b>	40
------------------------	-----------	----

### Mechanical data

21 Radial load [distance from flange]	<b>N [mm]</b>	150 [15]
---------------------------------------	---------------	----------

### Other data

22 Number of poles		2
23 Weight	<b>Kg</b>	1.16
24 IP rating		IP54
25 Enclosure		Enclosed
26 Insulation Class		F
27 Reversible		Yes

### Modular system

<b>Gearbox</b>	<b>+L mm</b>	<b>Brake</b>	<b>+L mm</b>	<b>Controller</b>
N/A	-	1.5 Nm	28.2	SC 50/15
		<b>Encoder</b>	<b>+L mm</b>	
		Incremental	9	

### Compatible products key

Product name	Standard combination
Product name	Modular combination

+L mm = approximate added length\*

\*additional length may also be required for mounting flange between components