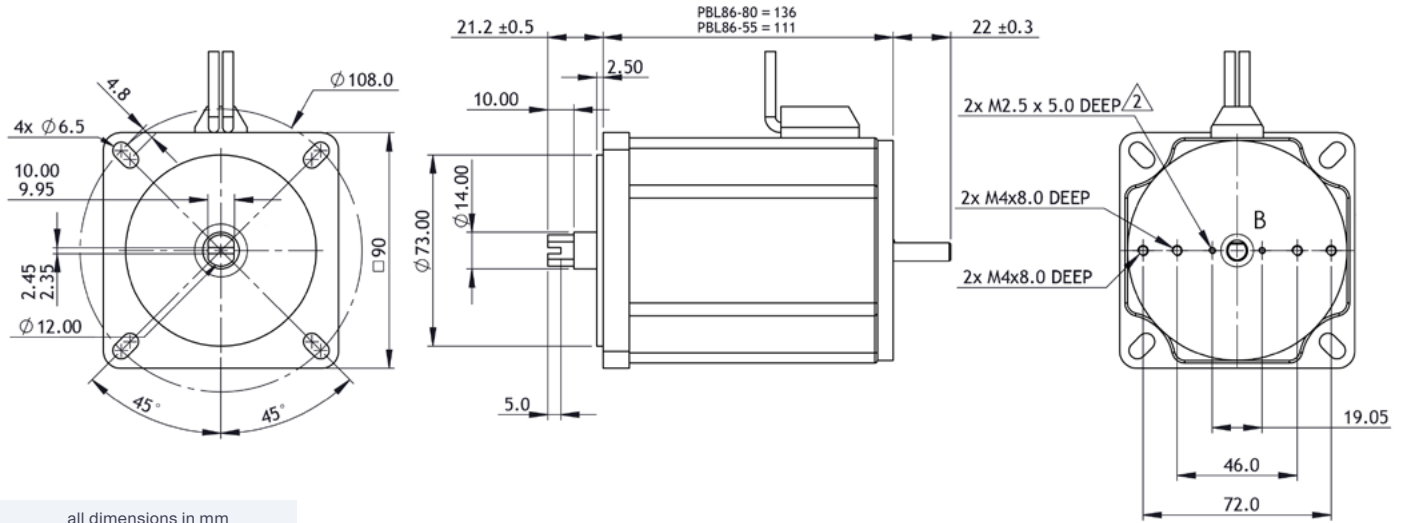


PBL86-55 BLDC motor

Ø86 mm frame // 55 mm stack

parvalux
by **maxon**



all dimensions in mm

Part number key

Modular	#####
Standard	#####
Calculated data	#####

Available on request: custom shaft length and diameter, shaft on both sides, special windings for specific voltages and speed, higher IP protection class, custom flanges and connectors

All products are built in accordance to performance tolerances from EN60034-1:2010. As continuous improvement, Parvalux periodically test their product range to ensure test results are as accurate as possible and are therefore subject to change. Please ensure you are using the latest datasheets found on our website

Technical data

1 Part number		776624
2 Nominal power	W	419
3 Nominal voltage	V	48
4 No load speed	rpm	4342
5 No load current	A	1.2
6 Nominal speed	rpm	4000
7 Nominal continuous torque (S1)	Nm	1.0
8 Nominal continuous current (S1)	A	10.3
9 Max Intermittent torque (S2 - 15 minutes)	Nm	1.75
10 Stall current	A	93
11 Stall torque	Nm	10.1
12 Stack length	mm	55
13 Maximum efficiency	%	85
14 Ra	Ω	0.087
15 RI	mH	230.7
16 Speed constant	rpm/V	90.8
17 Torque constant	Nm/A	0.11
18 Speed torque gradient	rpm/Nm	439.5
19 Rotor inertia	Kgm²	2.04 x 10 ⁻⁴
20 Weight	Kg	3.20

Thermal data

21 Ambient temperature	°C	40
------------------------	-----------	----

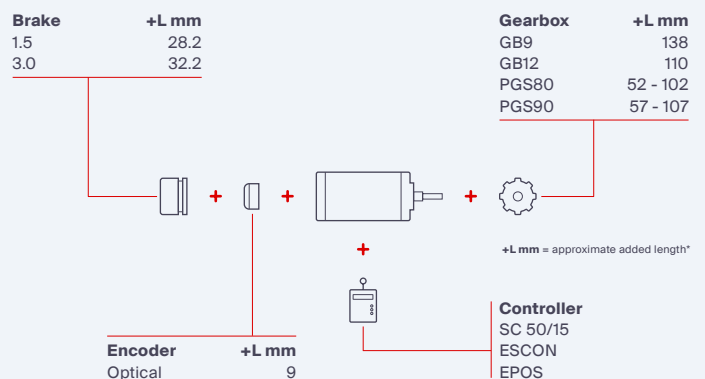
Mechanical data

22 Radial load [distance from flange]	N [mm]	350 [15]
23 Radial play	mm [g]	0.06 [450]
24 Axial end play	mm [g]	0.08 [450]

Other data

25 Number of poles		8
26 Winding type		Delta
27 Hall effect angle (electrical angle)	°	120
28 IP Rating		IP54
29 Enclosure		Enclosed
30 Insulation Class		B

Modular system



*additional length may also be required for mounting flange between components