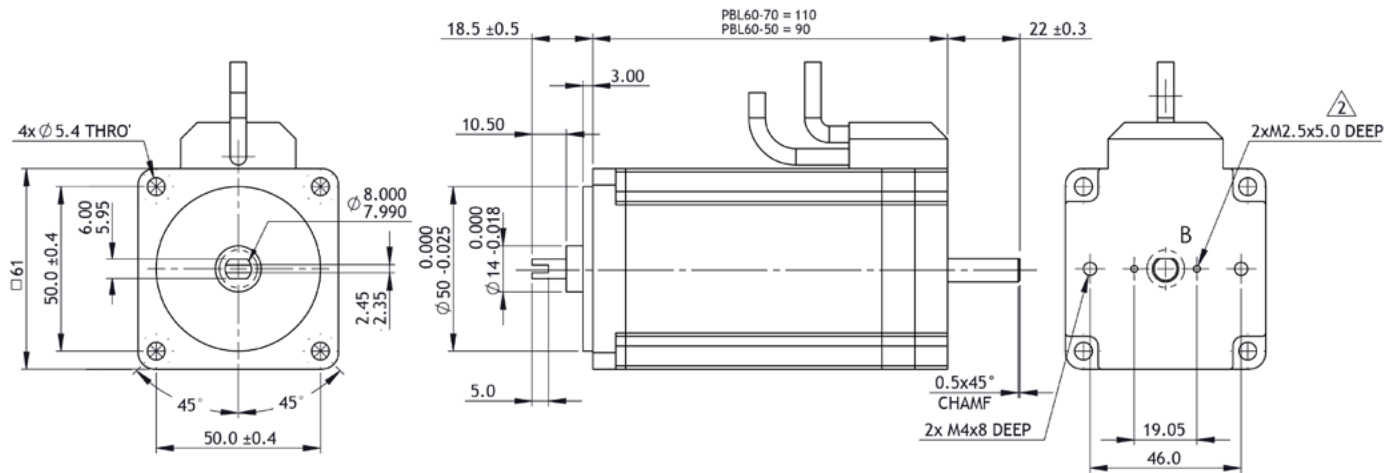


# PBL60-50 BLDC motor

Ø60 mm frame // 50 mm stack

**parvalux**  
by **maxon**



all dimensions in mm

## Part number key

Modular	#####
Standard	#####
Calculated data	#####

**Available on request:** custom shaft length and diameter, shaft on both sides, special windings for specific voltages and speed, higher IP protection class, custom flanges and connectors

All products are built in accordance to performance tolerances from EN60034-1:2010. As continuous improvement, Parvalux periodically test their product range to ensure test results are as accurate as possible and are therefore subject to change. Please ensure you are using the latest datasheets found on our website

## Technical data

1 Part number		776618	776619
2 Nominal power	<b>W</b>	104	104
3 Nominal voltage	<b>V</b>	24	48
4 No load speed	<b>rpm</b>	3798	3827
5 No load current	<b>A</b>	1.1	0.5
6 Nominal speed	<b>rpm</b>	3000	3000
7 Nominal continuous torque (S1)	<b>Nm</b>	0.33	0.33
8 Nominal continuous current (S1)	<b>A</b>	6.1	3.0
9 Max Intermittent torque (S2 - 15 minutes)	<b>Nm</b>	0.58	0.58
10 Stall current	<b>A</b>	41.00	26.40
11 Stall torque	<b>Nm</b>	2.6	3.4
12 Stack length	<b>mm</b>	50	50
13 Maximum efficiency	<b>%</b>	80	84
14 Ra	<b>Ω</b>	0.202	0.757
15 RI	<b>mH</b>	211.8	856.4
16 Speed constant	<b>rpm/V</b>	159.6	80.7
17 Torque constant	<b>Nm/A</b>	0.07	0.13
18 Speed torque gradient	<b>rpm/Nm</b>	1502.6	1152.9
19 Rotor inertia	<b>Kgcm<sup>2</sup></b>	4.97 x 10 <sup>-6</sup>	4.97 x 10 <sup>-6</sup>
20 Weight	<b>Kg</b>	1.20	1.20

## Thermal data

21 Ambient temperature	<b>°C</b>	40
------------------------	-----------	----

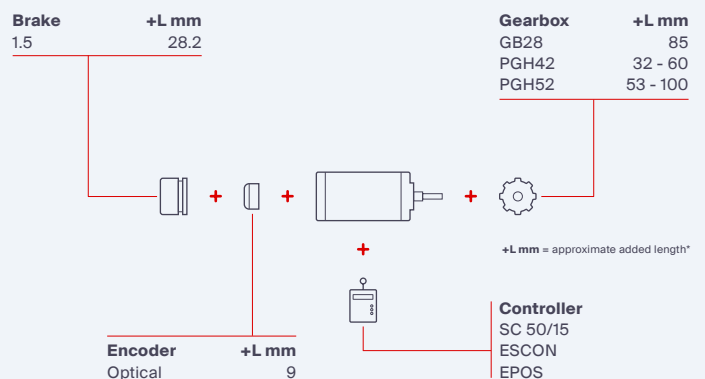
## Mechanical data

22 Radial load [distance from flange]	<b>N [mm]</b>	350 [15]
23 Radial play	<b>mm [g]</b>	0.025 [450]
24 Axial end play	<b>mm [g]</b>	0.025 [450]

## Other data

25 Number of poles		8
26 Winding type		Delta
27 Hall effect angle (electrical angle)	<b>°</b>	120
28 IP Rating		IP54
29 Enclosure		Enclosed
30 Insulation Class		B

## Modular system



\*additional length may also be required for mounting flange between components