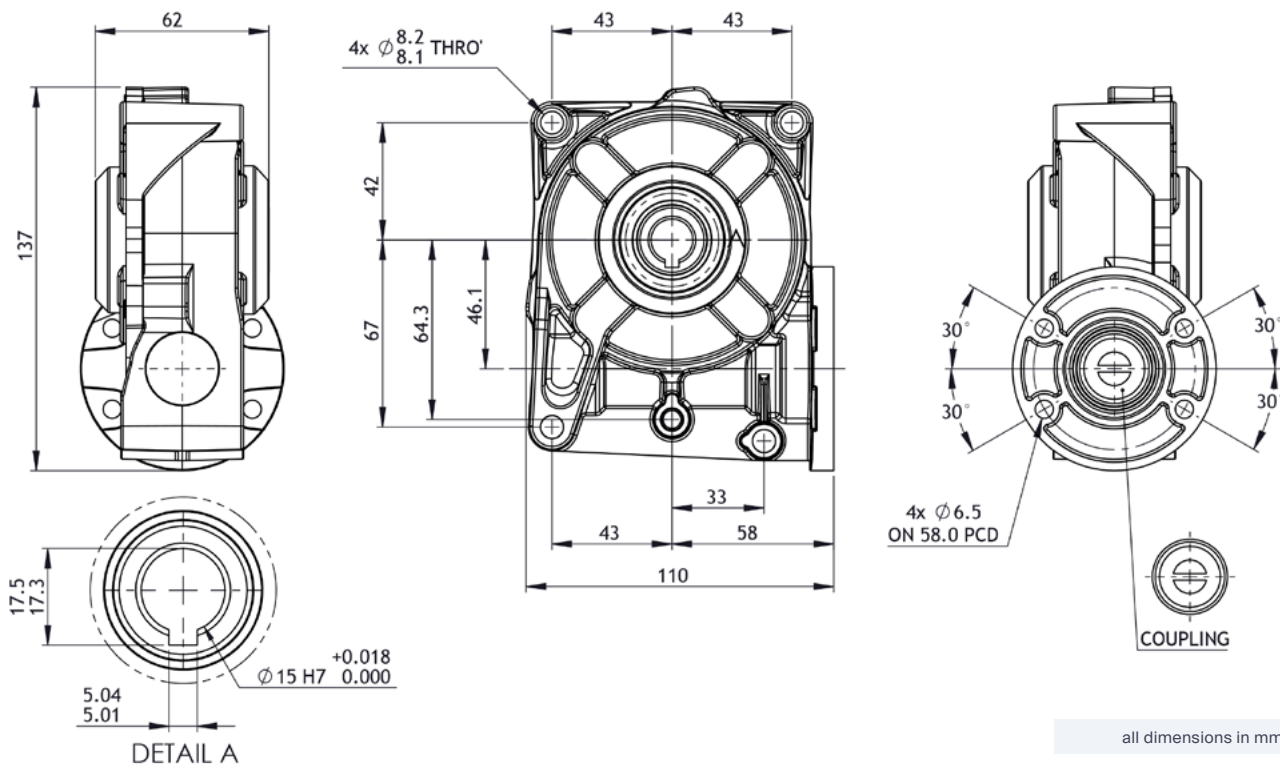


# GB12 Right-angle gearbox // Bronze gears

12.5:1 - 75:1 ratio // 48.0 Nm

**parvalux**  
by **maxon**



Part number key												
Modular	#####											
Standard	#####											
Calculated data	#####											
Technical data												
1 Part number	-	-	-	735900	-	-	-	735901	-	735902	-	-
2 Gear ratio	:1	12.5	14	15	19	21	25	30	50	60	75	-
3 Stages		1	1	1	1	1	1	1	1	1	1	1
4 Max. continuous torque (S1) <sup>1</sup>	<b>Nm</b>	30.0	30.0	30.0	30.0	30.0	30.0	30.0	30.0	30.0	30.0	27.0
5 Max. intermittent torque	<b>Nm</b>	48.0	48.0	48.0	48.0	48.0	48.0	48.0	48.0	48.0	48.0	43.0
6 Efficiency	%	80	75	75	73	73	72	65	55	50	45	-
7 Backlash	<b>arc.min</b>	10-25	10-25	10-25	10-25	10-25	10-25	10-25	10-25	10-25	10-25	10-25
8 Max. axial load (dynamic)	<b>N</b>	600	600	600	600	600	600	600	600	600	600	600
9 Max. radial load, 12 mm from flange	<b>N</b>	800	800	800	800	800	800	800	800	800	800	800
10 Weight	<b>Kg</b>	1.5	1.5	1.5	1.5	1.5	1.5	1.5	1.5	1.5	1.5	1.5
11 Gear material		Bronze	Bronze	Bronze	Bronze	Bronze	Bronze	Bronze	Bronze	Bronze	Bronze	Bronze

<sup>1</sup> S1 duty cycle based on 3000 RPM input speed

## Modular system

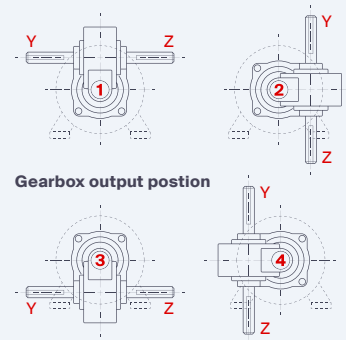
BLDC motor	+L mm	BLDC motor	+L mm
BLx60-40	85	PBL70-70	114
PBL60-50	90	PBL70-80	124
PBL60-70	110	PBL86-55	111
		PBL86-80	136

PMDC motor	+L mm
BRx70-40	125
BRx70-60	146
BRx90-50	153
BRx90-75	183

+L mm = approximate added length\*



Shaft extension kit  
735903



Gearbox output position

\*additional length may also be required for mounting flange between components