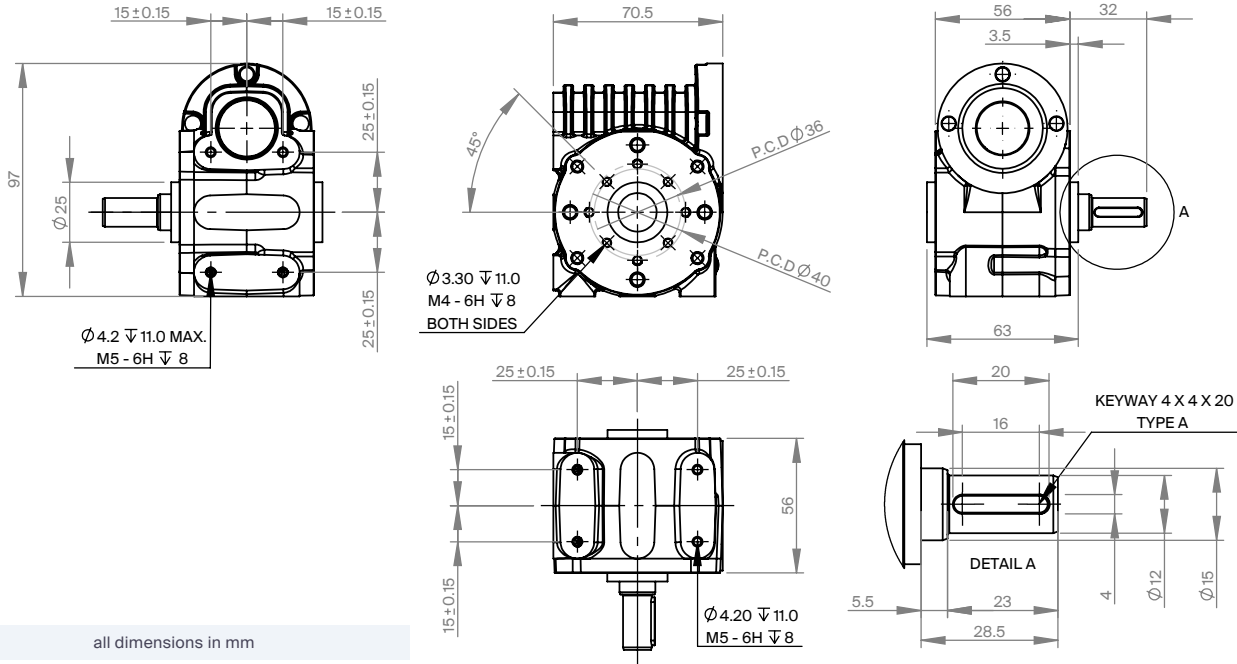


# GB80 Right-angle gearbox // Bronze gears

4:1 - 72:1 ratio // 19.0 Nm

**parvalux**  
by **maxon**



## Part number key

Modular	#####
Standard	#####
Calculated data	#####

**Notes:** Custom shaft output, including double-shaft exit and hollow shaft, available on request.

<sup>1</sup>Other ratios available on request (-1): 5, 8, 9, 12, 13, 14, 18, 25, 33, 44, 48, 66

## Technical data

1 Part number	-	-	-	-	-	-	-	-	-	-	-
2 Gear ratio <sup>1</sup>	:1	4	5	10	16	20	30	40	48	60	72
3 Stages		1	1	1	1	1	1	1	1	1	1
4 Max. continuous torque (S1) <sup>2,3</sup>	<b>Nm</b>	12.0	12.0	12.0	12.0	12.0	12.0	12.0	12.0	9.0	8.0
5 Max. intermittent torque <sup>3</sup>	<b>Nm</b>	19.0	19.0	19.0	19.0	19.0	19.0	19.0	19.0	14.0	12.0
6 Efficiency	%	74	74	71	67	64	61	57	50	47	40
7 Backlash	<b>arc.min</b>	10-25	10-25	10-25	10-25	10-25	10-25	10-25	10-25	10-25	10-25
8 Max. axial load (dynamic)	<b>N</b>	300	300	300	300	300	300	300	300	300	300
9 Max. radial load, 12 mm from flange	<b>N</b>	350	350	350	350	350	350	350	350	350	350
10 Weight	<b>Kg</b>	0.9	0.9	0.9	0.9	0.9	0.9	0.9	0.9	0.9	0.9
11 Gear material		Bronze	Bronze	Bronze	Bronze	Bronze	Bronze	Bronze	Bronze	Bronze	Bronze

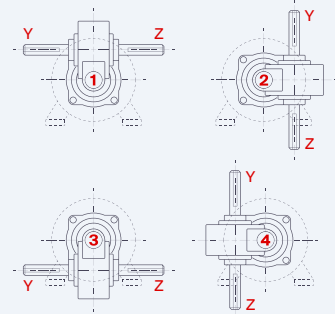
<sup>2</sup> S1 duty cycle based on 3000 RPM input speed <sup>3</sup> Please refer to the thermal rating limits of the gearbox found on page 255

## Compatible products

BLDC	+L mm	PMDC	+L mm	PMDC	+L mm	AC	+L mm
PBL60-50	90.0	BRx52-30	95.0	PM50	162.0	SD8	125.0
PBL60-70	110.0	BRx52-58	125.0	PM60	193.0	SD28	144.0
PBL70-70	114.0	BRx63-25	95.0	PM70-125	125.0	SD29	147.0
PBL70-80	124.0	BRx63-55	125.0	PM70-146	146.0	SD38	128.0
		BRx70-25	125.0	PM90-150	153.0		
		BRx70-60	146.0	PM90-180	183.0		
		BRx90-50	153.0	EPM50-25	119.0		
		BRx90-75	183.0	EPM50-38	130.0		
		PM1	149.0	EPM50-50	145.0		
		PM2	162.0	EPM50-63	155.0		
		PM3	137.0	EPM63-50	150.0		
		PM4	149.0	EPM63-50 (V)	163.0		
		PM5	162.0	EPM63-75	175.0		
		PM6	175.0	EPM63-75 (V)	188.0		
		PM10	107.0	EPM63-100	200.0		
		PM11	126.0	EPM63-100 (V)	213.0		

(V) = ventilated

## Gearbox output position



## Key

Standard combination

**Modular combination**

+L mm = approximate added length\*

\*additional length may also be required for mounting flange between components