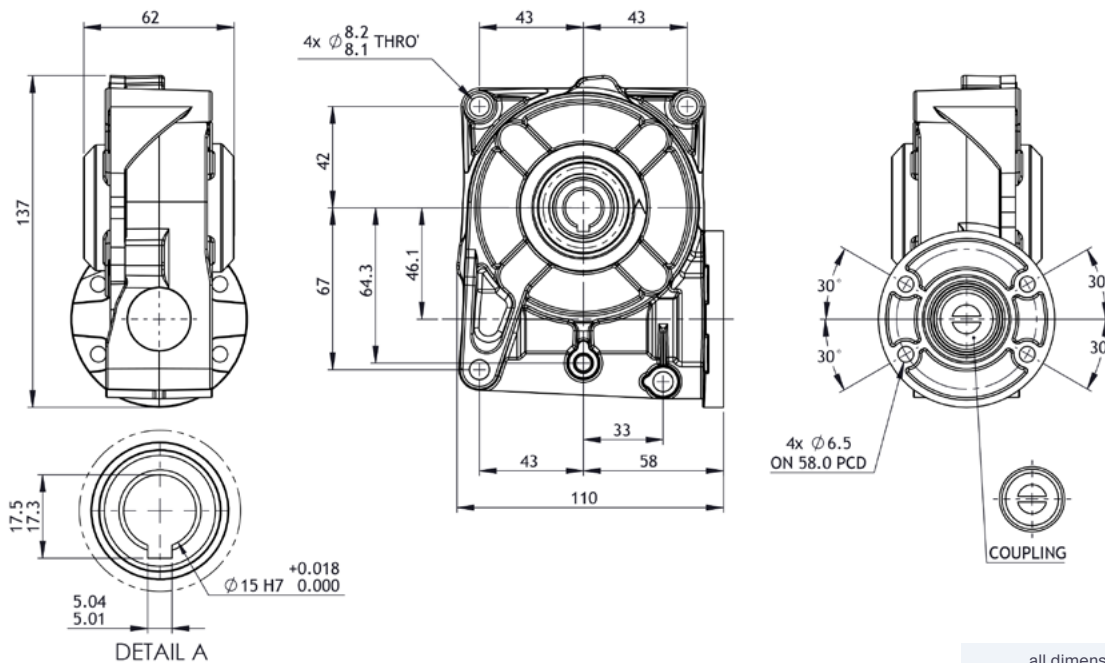


GB12 Right-angle gearbox // Bronze gears

12.5:1 - 75:1 ratio // 48.0 Nm

parvalux
by **maxon**



all dimensions in mm

Part number key

Modular	#####
Standard	#####
Calculated data	#####

1 Other ratios available on request (-1): 12.5, 14, 19, 21, 25, 50, 75
Please note, additional ratios are only available with standard units and are not available as part of the modular range

Technical data

1 Part number		735900	735901	735902
2 Gear ratio ¹	:1	15	30	60
3 Stages		1	1	1
4 Max. continuous torque (S1) ^{2,3}	Nm	30.0	30.0	30.0
5 Max. intermittent torque ³	Nm	48.0	48.0	48.0
6 Efficiency	%	75	65	50
7 Backlash	arc.min	10-25	10-25	10-25
8 Max. axial load (dynamic)	N	600	600	600
9 Max. radial load, 12 mm from flange	N	800	800	800
10 Weight	Kg	1.5	1.5	1.5
11 Gear material		Bronze	Bronze	Bronze

² S1 duty cycle based on 3000 RPM input speed ³ Please refer to the thermal rating limits of the gearbox found on page 255

Modular system

BLDC

	+L mm
PBL60-50	90.0
PBL60-70	110.0
PBL70-70	114.0
PBL70-80	124.0
PBL86-55	111.0
PBL86-80	136.0

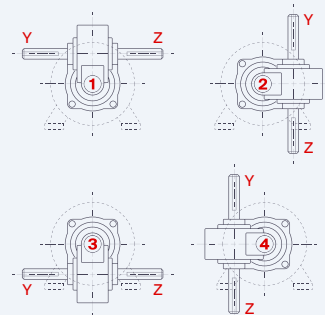
PMDC

	+L mm
BRx70-40	125.0
BRx70-60	146.0
BRx90-50	153.0
BRx90-75	183.0

Shaft extension

735903

Gearbox output position



Key

Standard combination

Modular combination

+L mm = approximate added length*

*additional length may also be required for mounting flange between components