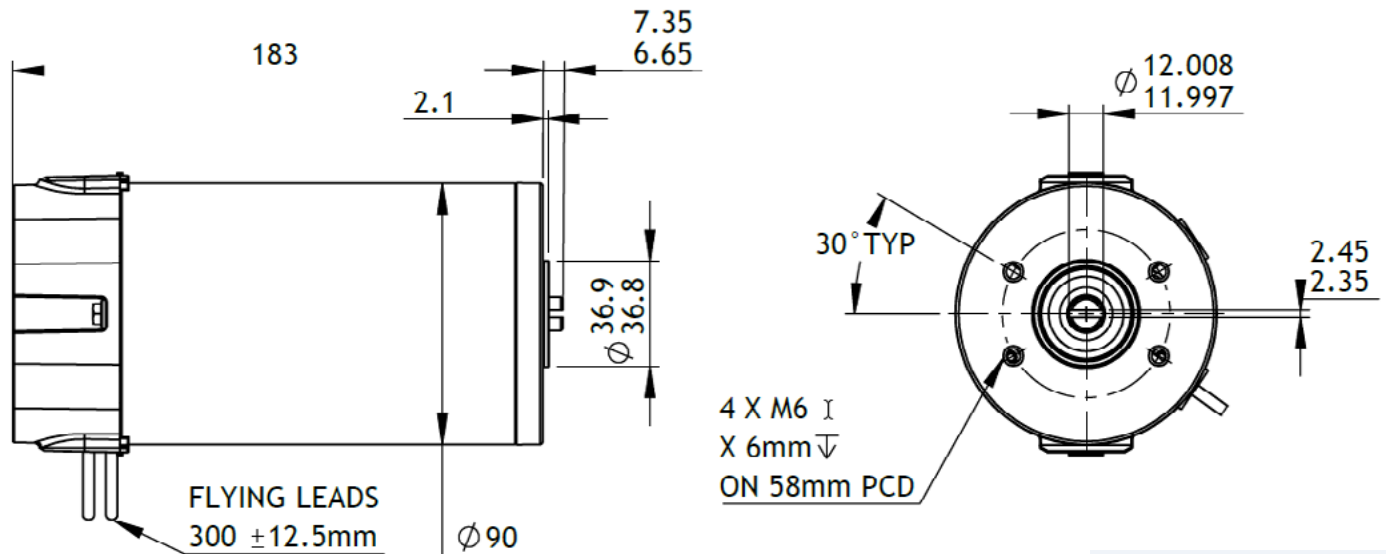


# PM90-180 PMDC motor

Ø90 mm frame

**parvalux**  
by **maxon**



all dimensions in mm

## Part number key

Modular	#####
Standard	#####
Calculated data	#####

Please see our customisation options page for details on the modifications available on our products. Advice and guidance on these options are available from your local sales contact.

## Technical data

1 Part number		-	-	-
2 Nominal power	<b>W</b>	236	283	283
3 Nominal voltage	<b>V</b>	12	24	48
4 No load speed	<b>rpm</b>	3750	3417	3376
5 No load current	<b>A</b>	3.4	1.2	0.6
6 Nominal speed	<b>rpm</b>	2500	3000	3000
7 Nominal continuous torque (S1)	<b>Nm</b>	0.9	0.9	0.9
8 Nominal continuous current (S1)	<b>A</b>	33.2	14.5	7.3
9 Max. intermittent torque (S2 - 15 minutes)	<b>Nm</b>	1.50	1.50	1.50
10 Stall current	<b>A</b>	83.5	93.0	58.0
11 Stall torque	<b>Nm</b>	2.38	6.14	7.71
12 Stack length	<b>mm</b>	75	75	75
13 Maximum efficiency	<b>%</b>	69	79	80
14 Terminal resistance - phase to phase	<b>Ω</b>	0.116	0.312	0.426
15 Terminal inductance - phase to phase	<b>mH</b>	78.3	422.3	1620.0
16 Speed constant	<b>rpm/V</b>	311.3	135.9	68.0
17 Torque constant	<b>Nm/A</b>	0.03	0.07	0.13
18 Speed torque gradient	<b>rpm/Nm</b>	1667.4	547.1	433.0
19 Rotor inertia	<b>Kgcm<sup>2</sup></b>	8.65 x 10 <sup>-4</sup>	8.65 x 10 <sup>-4</sup>	8.65 x 10 <sup>-4</sup>

## Thermal data

20 Ambient temperature	<b>°C</b>	40
------------------------	-----------	----

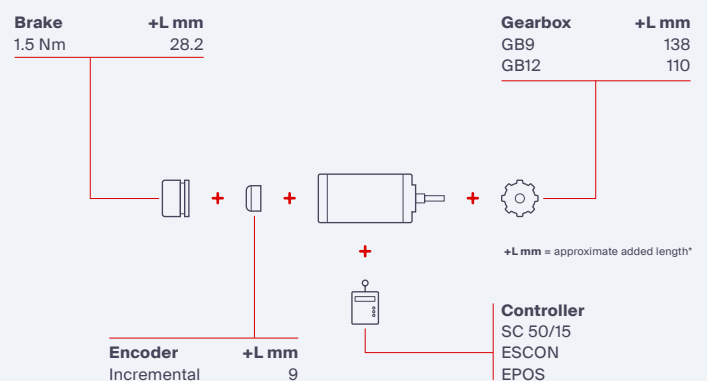
## Mechanical data

21 Radial load [distance from flange]	<b>N [mm]</b>	200 [15]
---------------------------------------	---------------	----------

## Other data

22 Number of poles		2
23 Weight	<b>Kg</b>	4.00
24 IP rating		IP54
25 Enclosure		Enclosed
26 Insulation Class		F
27 Reversible		Yes

## Modular system



\*additional length may also be required for mounting flange between components