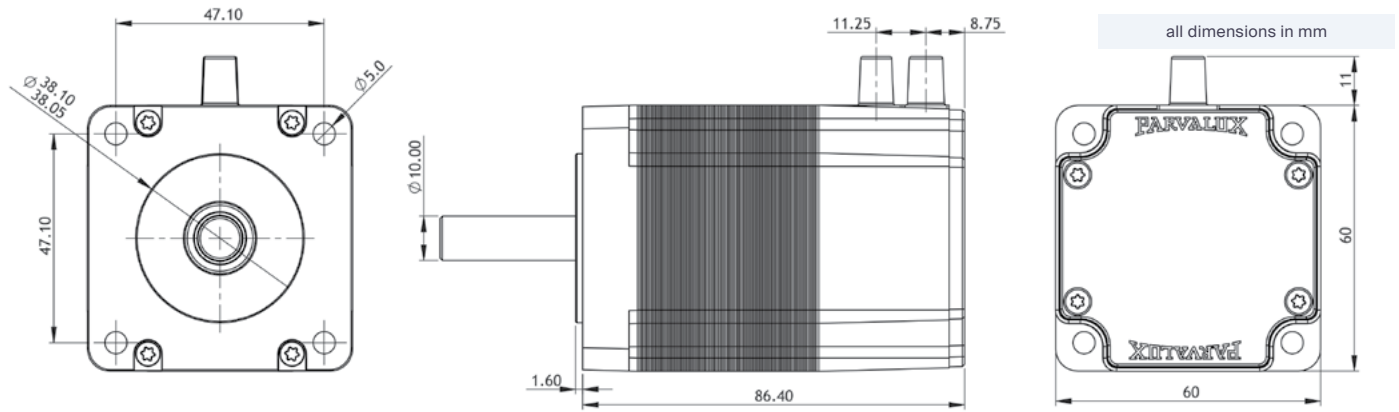


BLx60-40 BLDC motor

Ø60 mm frame // 40 mm stack

parvalux
by **maxon**



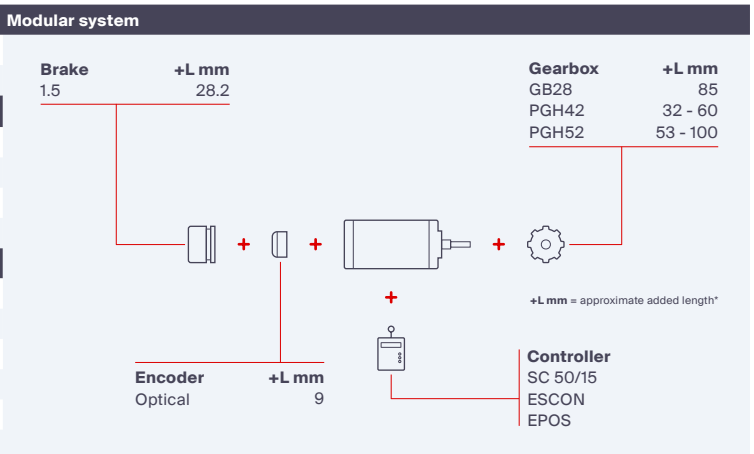
Part number key		
Modular	#####	Available on request: Custom shaft length and diameter, shaft on both sides, special windings for specific voltages and speed, higher IP protection class, custom flanges and connectors All products are built in accordance to performance tolerances from EN60034-1:2010. As continuous improvement, Parvalux periodically test their product range to ensure test results are as accurate as possible and are therefore subject to change. Please ensure you are using the latest datasheets found on our website
Standard	#####	
Calculated data	#####	

Technical data										
1 Part number		-	-	-	-	-	-	-	-	-
2 Nominal power	W	110	110	110	110	147	147	147	147	
3 Nominal voltage	V	12	24	40	48	12	24	40	48	
4 No load speed	rpm	4066	4066	4066	4066	5016	4843	4877	4843	
5 No load current	A	0.58	0.29	0.17	0.15	1.15	0.55	0.33	0.28	
6 Nominal speed	rpm	3000	3000	3000	3000	4000	4000	4000	4000	
7 Nominal continuous torque (S1)	Nm	0.35	0.35	0.35	0.35	0.35	0.35	0.35	0.35	
8 Nominal continuous current (S1)	A	12.0	6.0	3.6	3.0	15.2	7.3	4.4	3.7	
9 Max Intermittent torque (S2 - 15 minutes)	Nm	0.60	0.60	0.60	0.60	0.60	0.60	0.60	0.60	
10 Stall current	A	55.0	27.0	16.0	14.0	87.0	40.0	24.6	20.2	
11 Stall torque	Nm	1.6	1.6	1.6	1.6	2.2	2.1	2.1	2.1	
12 Stack length	mm	40	40	40	40	40	40	40	40	
13 Maximum efficiency	%	84	84	84	84	84	84	84	84	
14 Ra	Ω	0.22	0.88	2.44	3.50	0.14	0.59	1.63	2.37	
15 RI	mH	-	-	-	-	-	-	-	-	
16 Speed constant	rpm/V	329	165	99	82	412	199	120	100	
17 Torque constant	Nm/A	0.03	0.06	0.11	0.13	0.025	0.051	0.085	0.102	
18 Speed torque gradient	rpm/Nm	2530	2530	2530	2530	2310	2310	2310	2310	
19 Rotor inertia	Kg/cm²	2.4 x 10 ⁻⁵	2.4 x 10 ⁻⁵	2.4 x 10 ⁻⁵	2.4 x 10 ⁻⁵	2.4 x 10 ⁻⁵	2.4 x 10 ⁻⁵	2.4 x 10 ⁻⁵	2.4 x 10 ⁻⁵	
20 Weight	Kg	1.15	1.15	1.15	1.15	1.15	1.15	1.15	1.15	

Thermal data		
21 Ambient temperature	°C	40

Mechanical data		
22 Radial load [distance from flange]	N [mm]	150 [15]
23 Radial play	mm [°g]	0.025 [450]
24 Axial end play	mm [°g]	0.025 [450]

Other data		
25 Number of poles		4
26 Winding type		Delta
27 Hall effect angle (electrical angle)	°	120
28 IP Rating		IP54
29 Enclosure		Enclosed
30 Insulation Class		F



*additional length may also be required for mounting flange between components