

all dimensions in mm

Part number key

Modular	#####
Standard	#####
Calculated data	#####

¹Other ratios available on request (t1): 6, 7, 8, 9, 11, 12, 13, 14, 16, 18, 22, 25, 27, 33, 36, 44, 54, 66

Technical data

1 Part number		-	-	-	-	-	-	-	-	-	-
2 Gear ratio ¹	:1	4	5	10	15	20	30	40	48	60	70
3 Stages		1	1	1	1	1	1	1	1	1	1
4 Max. continuous torque (S1) ²	Nm	4.5	4.5	4.5	4.5	4.5	4.5	4.5	3.8	3.3	3.0
5 Max. intermittent torque	Nm	7.2	7.2	7.2	7.2	7.2	7.2	7.2	6.0	5.3	4.8
6 Efficiency	%	70	70	70	65	61	57	52	48	42	35
7 Backlash	arc.min	10-25	10-25	10-25	10-25	10-25	10-25	10-25	10-25	10-25	10-25
8 Max. axial load (dynamic)	N	150	150	150	150	150	150	150	150	150	150
9 Max. radial load, 12 mm from flange	N	250	250	250	250	250	250	250	250	250	250
10 Weight	Kg	0.4	0.4	0.4	0.4	0.4	0.4	0.4	0.4	0.4	0.4
11 Gear material		Bronze	Bronze	Bronze	Bronze	Bronze	Bronze	Bronze	Bronze	Bronze	Bronze

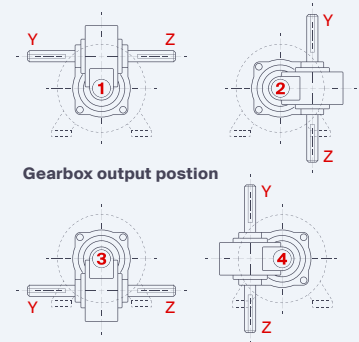
² S1 duty cycle based on 3000 RPM input speed

Compatible products

BLDC motor	+L mm	PMDC motor	+L mm
PBL42-15	47	PM7	84
PBL42-30	67	PM8	97
		PM9	110
		PM10	107
		PM11	126

+L mm = approximate added length*

AC motor	+L mm	AC motor	+L mm
SD8	125	SD29	147
SD21	95	SD38	128
SD28	144	SD41	107



*additional length may also be required for mounting flange between components