

Part number key

Modular	#####
Standard	#####
Calculated data	#####

Technical data

1 Part number	-	735894	-	735895	-	735896	-	
2 Gear ratio	:1	12.5	15	25	30	40	60	75
3 Stages		1	1	1	1	1	1	1
4 Max. continuous torque (S1) ¹	Nm	50.0	50.0	50.0	50.0	50.0	50.0	40.0
5 Max. intermittent torque	Nm	80.0	80.0	80.0	80.0	80.0	80.0	70.0
6 Efficiency	%	90	85	80	75	70	65	50
7 Backlash	arc.min	10-25	10-25	10-25	10-25	10-25	10-25	10-25
8 Max. axial load (dynamic)	N	600	600	600	600	600	600	600
9 Max. radial load, 12 mm from flange	N	800	800	800	800	800	800	800
10 Weight	Kg	2.3	2.3	2.3	2.3	2.3	2.3	2.3
11 Gear material		Composite	Composite	Composite	Composite	Composite	Composite	Composite

¹ S1 duty cycle based on 3000 RPM input speed

Modular system

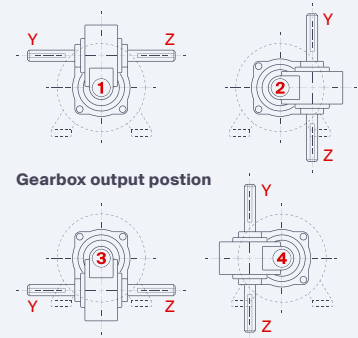
BLDC motor	+L mm
PBL86-55	111
PBL86-80	136

+L mm = approximate added length*

PMDC motor	+L mm
BRx90-50	153
BRx90-75	183



Shaft extension kit
735898



Gearbox output position

*additional length may also be required for mounting flange between components