

all dimensions in mm

### Part number key

Modular	#####
Standard	#####
Calculated data	#####

**Notes:** Custom shaft available on request, max diameter 20mm. Double exit and hollow shaft (11mm bore) available. Casting finish - shot blast with m/c features (powder coating on request)

\* Other ratios available on request (1): 6, 8, 11, 12, 13, 16, 22

### Technical data

1 Part number	-	-	-	-	-	-	-	-	-	-	-
2 Gear ratio <sup>1</sup>	:1	4	5	7	9	10	14	15	18	20	25
3 Stages		1	1	1	1	1	1	1	1	1	1
4 Max. continuous torque (S1) <sup>2</sup>	<b>Nm</b>	4.0	4.0	4.0	4.0	4.0	4.0	4.0	4.0	4.0	4.0
5 Max. intermittent torque	<b>Nm</b>	8.0	8.0	8.0	8.0	8.0	8.0	8.0	8.0	8.0	8.0
6 Efficiency	%	85	84	82	80	80	76	75	73	72	68
7 Backlash	<b>arc.min</b>	10-25	10-25	10-25	10-25	10-25	10-25	10-25	10-25	10-25	10-25
8 Max. axial load (dynamic)	<b>N</b>	300	300	300	300	300	300	300	300	300	300
9 Max. radial load, 12 mm from flange	<b>N</b>	400	400	400	400	400	400	400	400	400	400
10 Weight	<b>Kg</b>	0.4	0.4	0.4	0.4	0.4	0.4	0.4	0.4	0.4	0.4
11 Gear material		Composite	Composite	Composite	Composite	Composite	Composite	Composite	Composite	Composite	Composite

<sup>2</sup> S1 duty cycle based on 2000 RPM input speed

### Compatible products

PMDC motor	+L mm
BRx52-30	95
BRx52-58	125
BRx63-40	110
BRx63-55	125

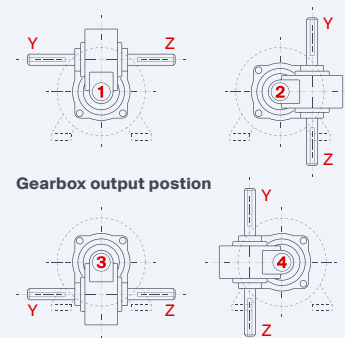
  

BLDC motor	+L mm
PBL42-15	47
PBL42-30	67
PBL60-50	90
PBL60-70	110

+L mm = approximate added length\*



GB58



Gearbox output position

\*additional length may also be required for mounting flange between components