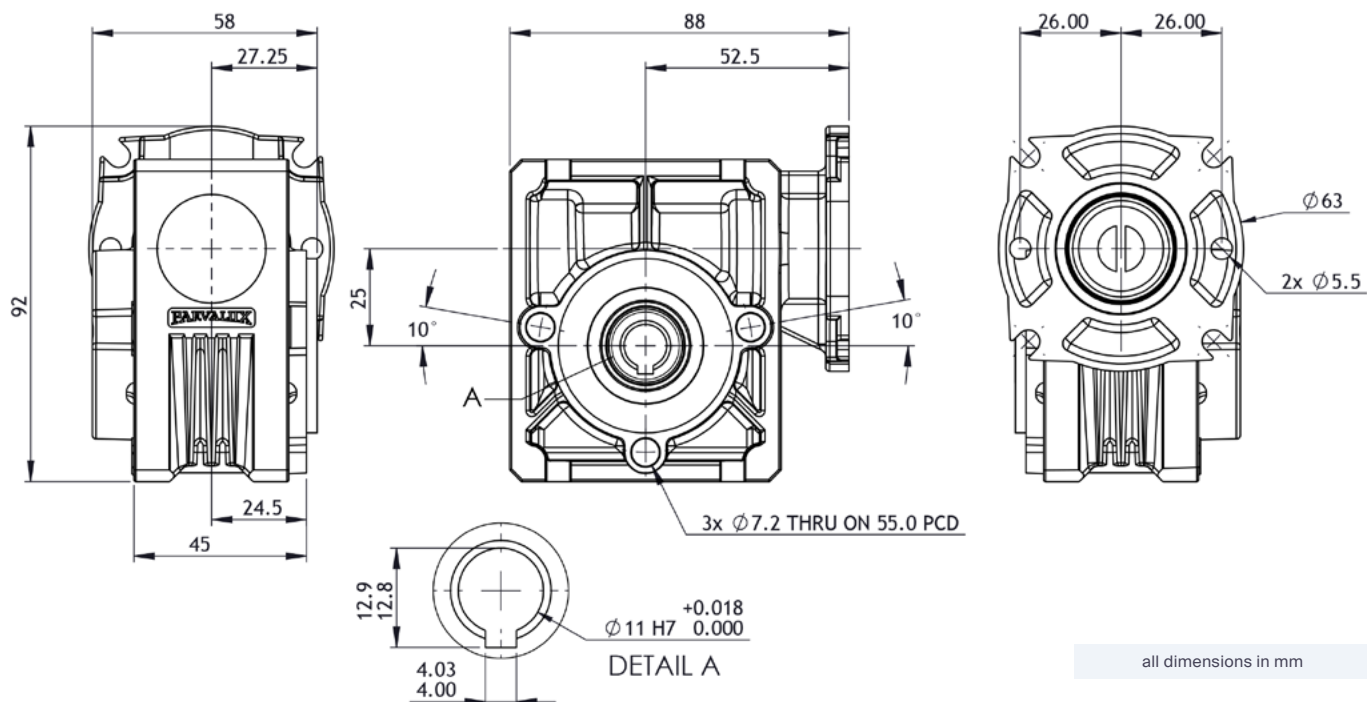


GB28 Right-angle gearbox // Bronze gears

15:1 - 60:1 ratio // 8.0 Nm

parvalux
by **maxon**



Part number key

Modular	#####
Standard	#####
Calculated data	#####

Technical data

1 Part number		735904	-	735906	-	735907
2 Gear ratio	:1	15	25	30	50	60
3 Stages		1	1	1	1	1
4 Max. continuous torque (S1) ¹	Nm	5.0	5.0	5.0	5.0	5.0
5 Max. intermittent torque	Nm	8.0	8.0	8.0	8.0	8.0
6 Efficiency	%	75	70	65	50	45
7 Backlash	arc.min	10-25	10-25	10-25	10-25	10-25
8 Max. axial load (dynamic)	N	300	300	300	300	300
9 Max. radial load, 12 mm from flange	N	400	400	400	400	400
10 Weight	Kg	0.83	0.83	0.83	0.83	0.83
11 Gear material		Bronze	Bronze	Bronze	Bronze	Bronze

¹ S1 duty cycle based on 3000 RPM input speed

Modular system

BLDC motor +L mm

BLx60-40	85
PBL60-50	90
PBL60-70	110

+L mm = approximate added length*

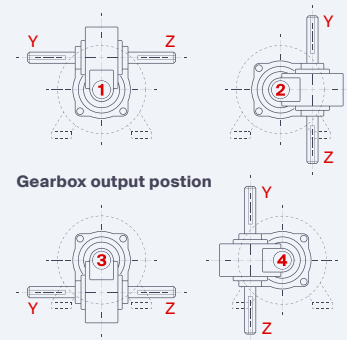
PMDC motor +L mm

BRx52-30	95
BRx52-58	125
BRx63-40	95
BRx63-55	125



GB28

Shaft extension kit
735908



Gearbox output position

*additional length may also be required for mounting flange between components