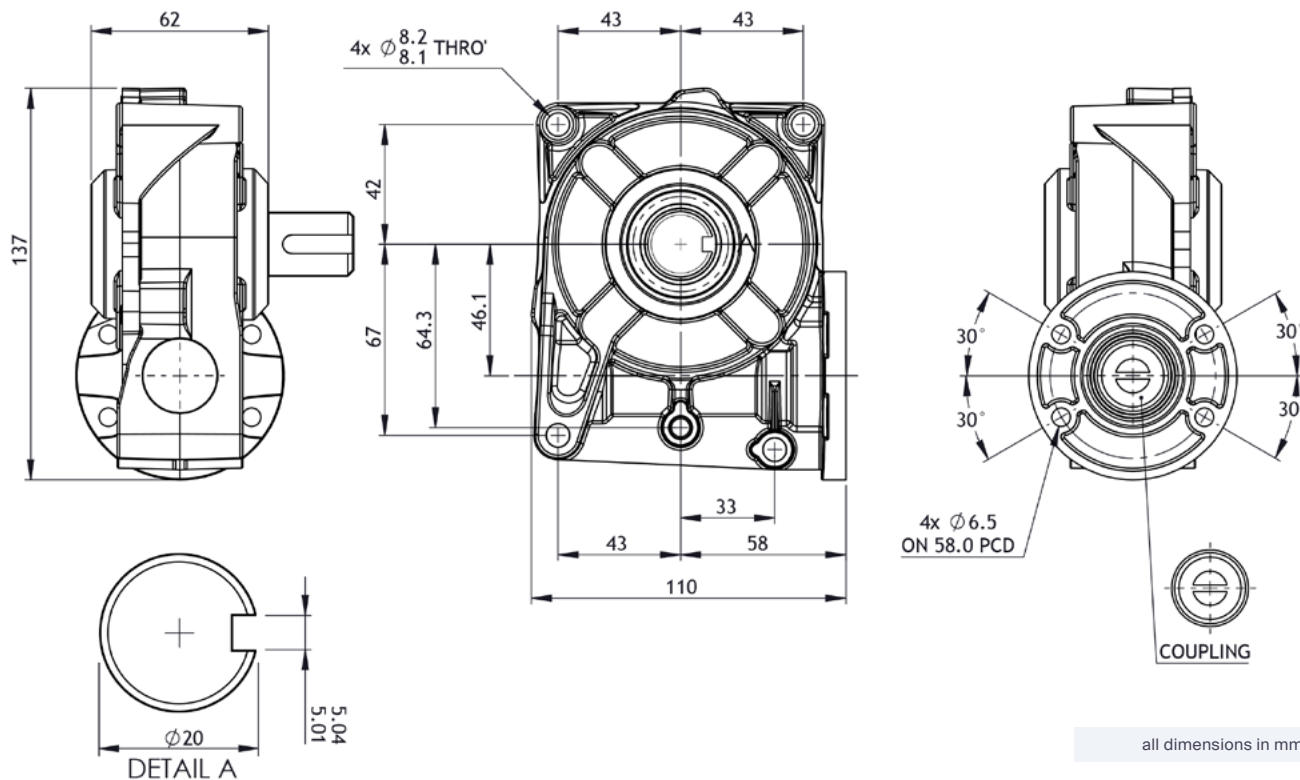


GB12 Right-angle gearbox // Composite gears

12.5:1 - 75:1 ratio // 32.0 Nm

parvalux
by **maxon**



Part number key

Modular	#####
Standard	#####
Calculated data	#####

Technical data

1 Part number		-	-	-	-	-	-	-	-	-	-
2 Gear ratio	:1	12.5	14	15	19	21	25	30	50	60	75
3 Stages		1	1	1	1	1	1	1	1	1	1
4 Max. continuous torque (S1) ¹	Nm	20.0	20.0	20.0	20.0	20.0	20.0	20.0	20.0	20.0	18.0
5 Max. intermittent torque	Nm	32.0	32.0	32.0	32.0	32.0	32.0	32.0	32.0	32.0	29.0
6 Efficiency	%	85	83	83	80	78	75	72	60	55	50
7 Backlash	arc.min	10-25	10-25	10-25	10-25	10-25	10-25	10-25	10-25	10-25	10-25
8 Max. axial load (dynamic)	N	300	300	300	300	300	300	300	300	300	300
9 Max. radial load, 12 mm from flange	N	500	500	500	500	500	500	500	500	500	500
10 Weight	Kg	1.1	1.1	1.1	1.1	1.1	1.1	1.1	1.1	1.1	1.1
11 Gear material		Composite	Composite	Composite	Composite	Composite	Composite	Composite	Composite	Composite	Composite

¹ S1 duty cycle based on 3000 RPM input speed

Modular system

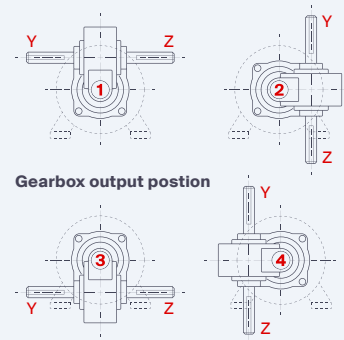
BLDC motor	+L mm	BLDC motor	+L mm
BLx60-40	85	PBL70-70	114
PBL60-50	90	PBL70-80	124
PBL60-70	110	PBL86-55	111
		PBL86-80	136

PMDC motor	+L mm
BRx70-40	125
BRx70-60	146
BRx90-50	153
BRx90-75	183

+L mm = approximate added length*



Shaft extension kit
735903



Gearbox output position

*additional length may also be required for mounting flange between components