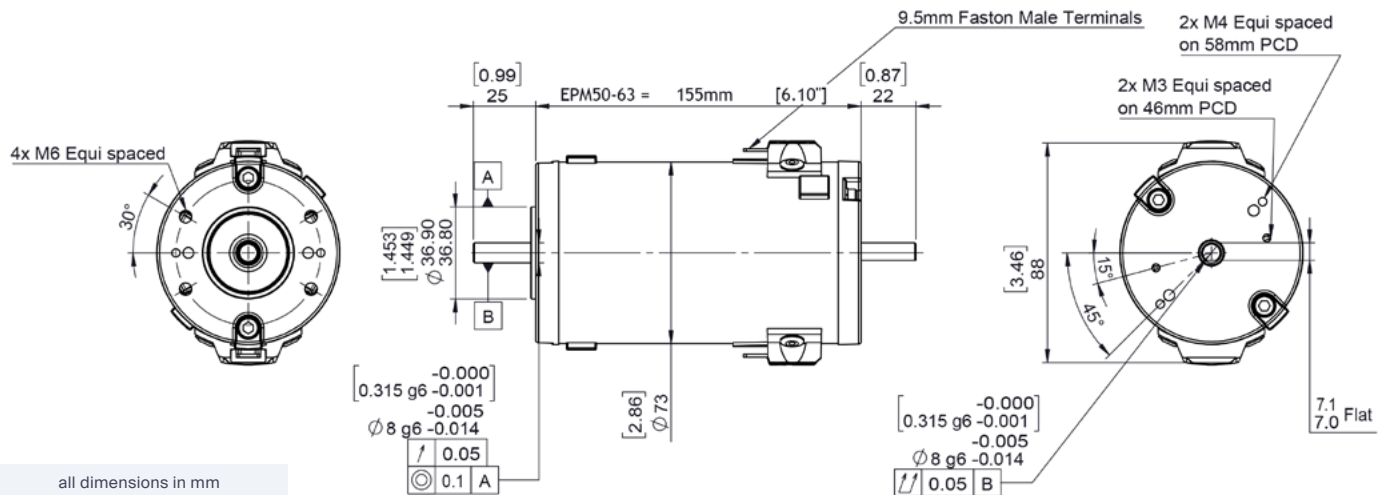


EPM50-63 PMDC motor

Ø73 mm frame // 63 mm stack

parvalux
by **maxon**



Part number key

Modular	#####
Standard	#####
Calculated data	#####

Available on request: Custom shaft length and diameter, shaft on both sides, special windings for specific voltages and speed, higher IP protection class, custom flanges and connectors

All products are built in accordance to performance tolerances from EN60034-1:2010. As continuous improvement, Parvalux periodically test their product range to ensure test results are as accurate as possible and are therefore subject to change. Please ensure you are using the latest datasheets found on our website

Technical data

1 Part number		-	-	-	-
2 Nominal power	W	151	151	151	151
3 Nominal voltage	V	12	24	40	48
4 No load speed	rpm	4119	3912	3650	3598
5 No load current	A	1.30	0.50	0.27	0.22
6 Nominal speed	rpm	3000	3000	3000	3000
7 Nominal continuous torque (S1)	Nm	0.48	0.48	0.48	0.48
8 Nominal continuous current (S1)	A	18.0	8.4	4.9	4.1
9 Max. intermittent torque (S3)	Nm	0.80	0.80	0.80	0.80
10 Stall current	A	79	42	32	26
11 Stall torque	Nm	2.3	2.8	3.3	3.2
12 Stack length	mm	63	63	63	63
13 Maximum efficiency	%	80	80	81	81
14 Terminal resistance - phase to phase	Ω	0.15	0.57	1.25	1.86
15 Terminal inductance - phase to phase	mH	-	-	-	-
16 Speed constant	rpm/V	330	178	90	74
17 Torque constant	Nm/A	0.03	0.06	0.10	0.13
18 Speed torque gradient	rpm/Nm	1835	1412	1121	1120
19 Rotor inertia	Kgcm²	2.48 x 10 ⁻⁴	2.48 x 10 ⁻⁴	2.48 x 10 ⁻⁴	2.48 x 10 ⁻⁴

Thermal data

20 Ambient temperature	°C	40
------------------------	-----------	----

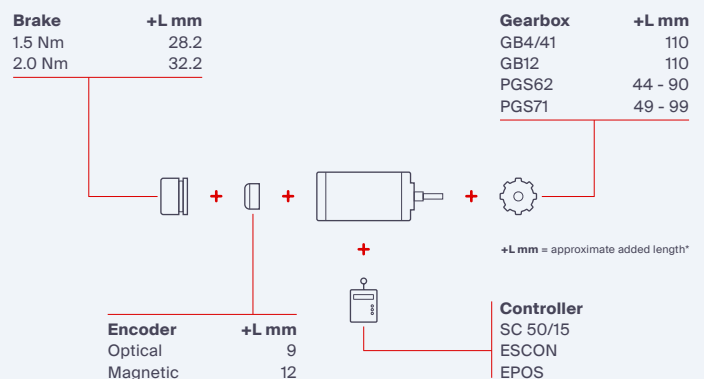
Mechanical data

21 Radial load [distance from flange]	N [mm]	150 [15]
---------------------------------------	---------------	----------

Other data

22 Number of poles		2
23 Weight	Kg	2.15
24 IP rating		IP44
25 Enclosure		Enclosed
26 Insulation Class		F
27 Reversible		Yes

Modular system



*additional length may also be required for mounting flange between components