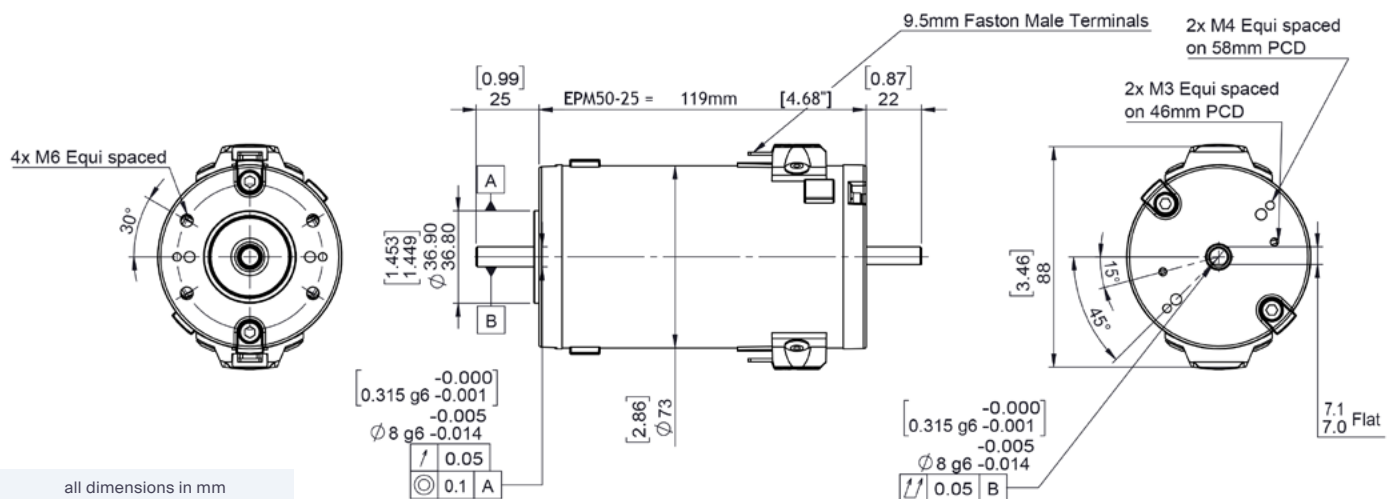


# EPM50-25 PMDC motor

Ø73 mm frame // 25 mm stack

**parvalux**  
by **maxon**



all dimensions in mm

## Part number key

Modular	#####
Standard	#####
Calculated data	#####

**Available on request:** custom shaft length and diameter, shaft on both sides, special windings for specific voltages and speed, higher IP protection class, custom flanges and connectors

All products are built in accordance to performance tolerances from EN60034-1:2010. As continuous improvement, Parvalux periodically test their product range to ensure test results are as accurate as possible and are therefore subject to change. Please ensure you are using the latest datasheets found on our website

## Technical data

1 Part number		-	-	-	-
2 Nominal power	<b>W</b>	79	79	79	79
3 Nominal voltage	<b>V</b>	12	24	40	48
4 No load speed	<b>rpm</b>	4376	4136	4073	3893
5 No load current	<b>A</b>	1.75	1.04	0.61	0.31
6 Nominal speed	<b>rpm</b>	3000	3000	3000	3000
7 Nominal continuous torque (S1)	<b>Nm</b>	0.25	0.25	0.25	0.25
8 Nominal continuous current (S1)	<b>A</b>	12.3	5.6	3.3	2.6
9 Max. intermittent torque (S3)	<b>Nm</b>	0.44	0.44	0.44	0.44
10 Stall current	<b>A</b>	35.7	23.6	13.8	11.5
11 Stall torque	<b>Nm</b>	0.81	1.16	1.14	1.20
12 Stack length	<b>mm</b>	25	25	25	25
13 Maximum efficiency	<b>%</b>	61	64	65	70
14 Terminal resistance - phase to phase	<b>Ω</b>	0.34	1.02	2.91	4.19
15 Terminal inductance - phase to phase	<b>mH</b>	-	-	-	-
16 Speed constant	<b>rpm/V</b>	383.4	180.3	106.6	83.4
17 Torque constant	<b>Nm/A</b>	0.024	0.050	0.080	0.110
18 Speed torque gradient	<b>rpm/Nm</b>	5800	3621	3621	3428
19 Rotor inertia	<b>Kgcm<sup>2</sup></b>	1.41 x 10 <sup>-4</sup>	1.41 x 10 <sup>-4</sup>	1.41 x 10 <sup>-4</sup>	1.41 x 10 <sup>-4</sup>

## Thermal data

20 Ambient temperature	<b>°C</b>	40
------------------------	-----------	----

## Mechanical data

21 Radial load [distance from flange]	<b>N [mm]</b>	150 [15]
---------------------------------------	---------------	----------

## Other data

22 Number of poles		2
23 Weight	<b>Kg</b>	1.40
24 IP rating		IP44
25 Enclosure		Enclosed
26 Insulation Class		F
27 Reversible		Yes

## Modular system

