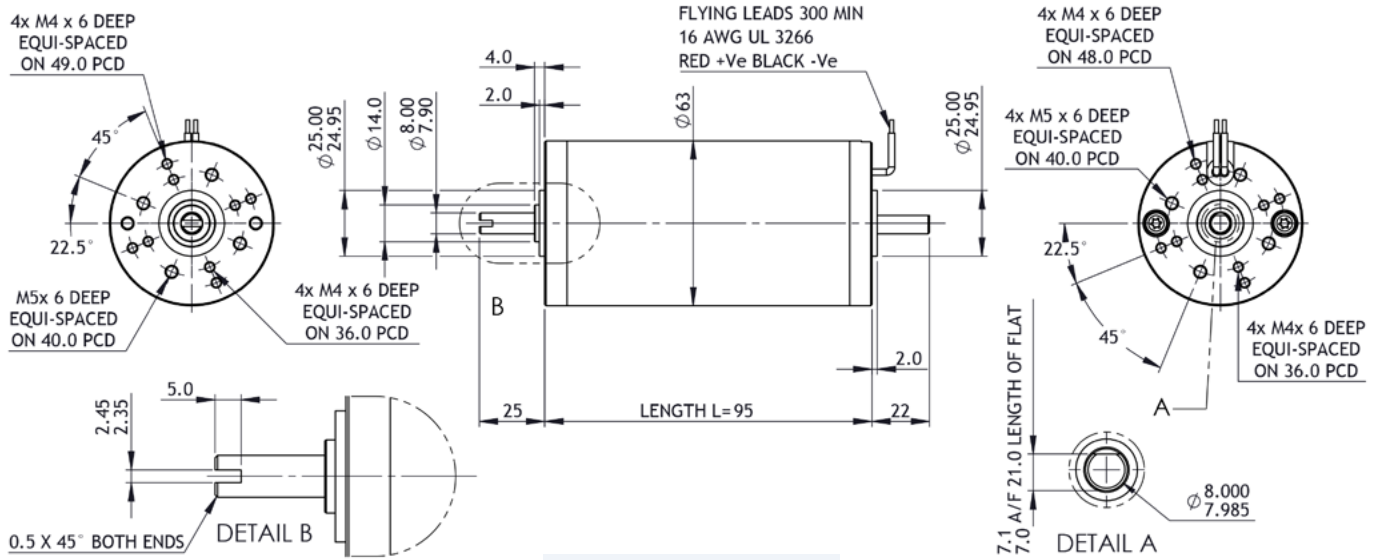


# BRx63-25 PMDC motor

Ø63 mm frame // 25 mm stack

**parvalux**  
by **maxon**



all dimensions in mm

## Part number key

Modular	#####
Standard	#####
Calculated data	#####

## Technical data

1 Part number		781083	781084	781085
2 Nominal power	<b>W</b>	47	57	57
3 Nominal voltage	<b>V</b>	12	24	48
4 No load speed	<b>rpm</b>	3488	3591	3621
5 No load current	<b>A</b>	0.6	0.30	0.15
6 Nominal speed	<b>rpm</b>	2500	3000	3000
7 Nominal continuous torque (S1)	<b>Nm</b>	0.18	0.18	0.18
8 Nominal continuous current (S1)	<b>A</b>	6.0	3.0	1.6
9 Max. intermittent torque (S2 - 15 minutes)	<b>Nm</b>	0.30	0.30	0.30
10 Stall current	<b>A</b>	19.4	11.8	6.9
11 Stall torque	<b>Nm</b>	0.6	0.7	0.8
12 Stack length	<b>mm</b>	25	40	40
13 Maximum efficiency	<b>%</b>	67	84	84
14 Terminal resistance - phase to phase	<b>Ω</b>	1.260	1.649	5.130
15 Terminal inductance - phase to phase	<b>mH</b>	0.5016	2.204	8.520
16 Speed constant	<b>rpm/V</b>	298.1	151.7	76.5
17 Torque constant	<b>Nm/A</b>	0.03	0.06	0.12
18 Speed torque gradient	<b>rpm/Nm</b>	6269	5656	5037
19 Rotor inertia	<b>Kgcm<sup>2</sup></b>	7.4 x 10 <sup>-5</sup>	7.4 x 10 <sup>-5</sup>	7.4 x 10 <sup>-5</sup>

## Thermal data

20 Ambient temperature	<b>°C</b>	40
------------------------	-----------	----

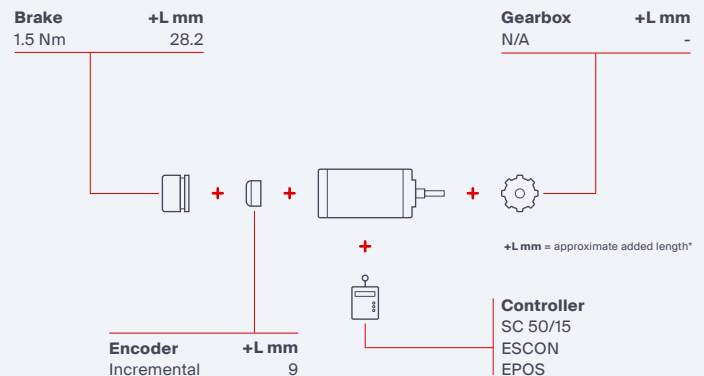
## Mechanical data

21 Radial load [distance from flange]	<b>N [mm]</b>	150 [15]
---------------------------------------	---------------	----------

## Other data

22 Number of poles		2
23 Weight	<b>Kg</b>	0.85
24 IP rating		IP54
25 Enclosure		Enclosed
26 Insulation Class		F
27 Reversible		Yes

## Modular system



\*additional length may also be required for mounting flange between components