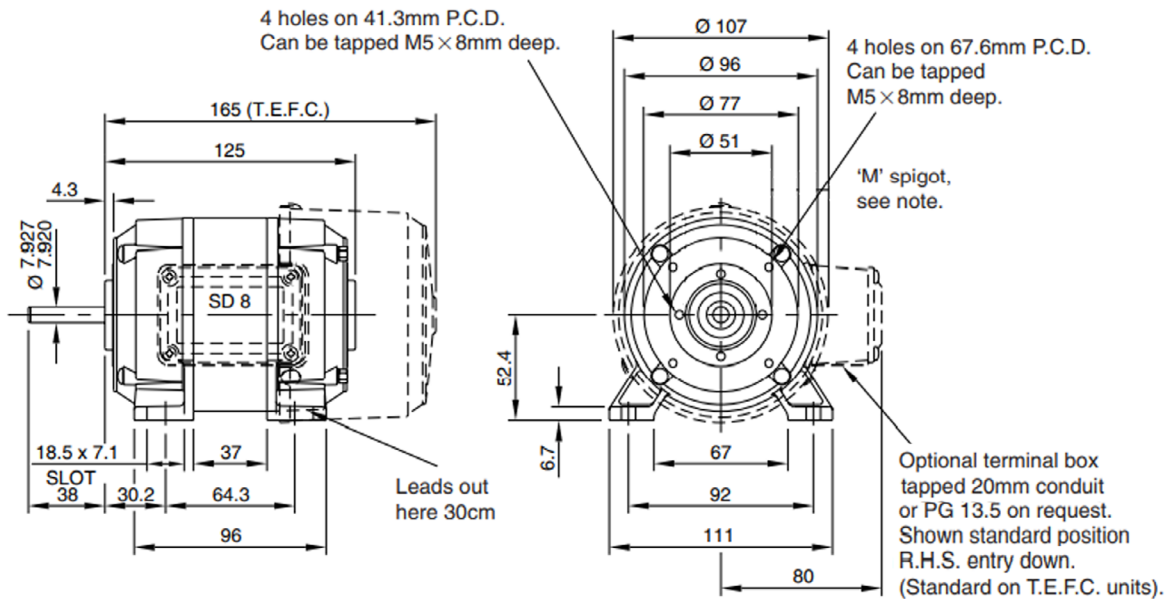


SD8 2 speed AC motor

Ø96 mm frame // 37 mm stack

PARVALUX



Part number key

Modular	#####
Standard	#####
Special	#####

Available on request: custom shaft length and diameter, shaft on both sides, special windings for specific voltages and speed, higher IP protection class, custom flanges and connectors

Note: Brakes are not available on TEFC (Totally Enclosed Fan Cooled) motors.

All products are built in accordance to performance tolerances from EN60034-1:2010. As continuous improvement, Parvalux periodically test their product range to ensure test results are as accurate as possible and are therefore subject to change. Please ensure you are using the latest datasheets found on our website

Technical data

1 Part number		821.4150	822.8150	821.7160	823.4160	821.4350	822.8350	821.7360	823.4360
2 Phases		1	1	1	1	3	3	3	3
3 Frequency	Hz	50	50	60	60	50	50	60	60
4 Nominal voltage	V AC	230	230	115	115	400	400	230	230
5 Nominal power	W	30	50	30	50	30	50	30	50
6 Nominal speed	rpm	1400	2800	1700	3400	1400	2800	1700	3400
7 Nominal continuous torque (S1)	Nm	0.2	0.17	0.17	0.14	0.2	0.17	0.17	0.14
8 Nominal continuous current (S1)	A	0.43	0.47	-	-	0.21	0.16	-	-
9 Starting Current	A	1.075	1.175	0	0	0.525	0.400	0	0
10 Input Watts	W	85	110	85	110	90	90	90	90
11 Capacitor Value	M.F.D	6.0	6.0	6.0	6.0	-	-	-	-
12 Starting Torque Full Load	%	50	50	50	50	100	100	100	100
13 Stack length	mm	37	37	37	37	37	37	37	37
14 Number of poles		4	2	4	2	4	2	4	2
15 Rotor inertia	Kg/cm ²	-	-	-	-	-	-	-	-

Thermal data

16 Ambient temperature	°C	40
------------------------	----	----

Mechanical data

17 Radial load [distance from flange]	N [mm]	150 [15]
---------------------------------------	--------	----------

Other data

18 Weight	Kg	2.8
19 Enclosure		VENT/TE
20 IP Rating - Ventilated		IP20
21 IP Rating - TE/TEFC		IP54
22 Insulation Class		F
23 Type		Permanent capacitor, asynchronous
24 Direction		Bi-directional

Modular system

Gearbox	+L mm	Gearbox	+L mm	Gearbox	+L mm
S	59	GB36	166	LWS	127
M	85	MIW	83	LIS	108
GB28	85	MWS	110	PG62	44 - 90
GB4/41	110	MIS	95	PG71	49 - 99
GB12	110	LIW	102		

