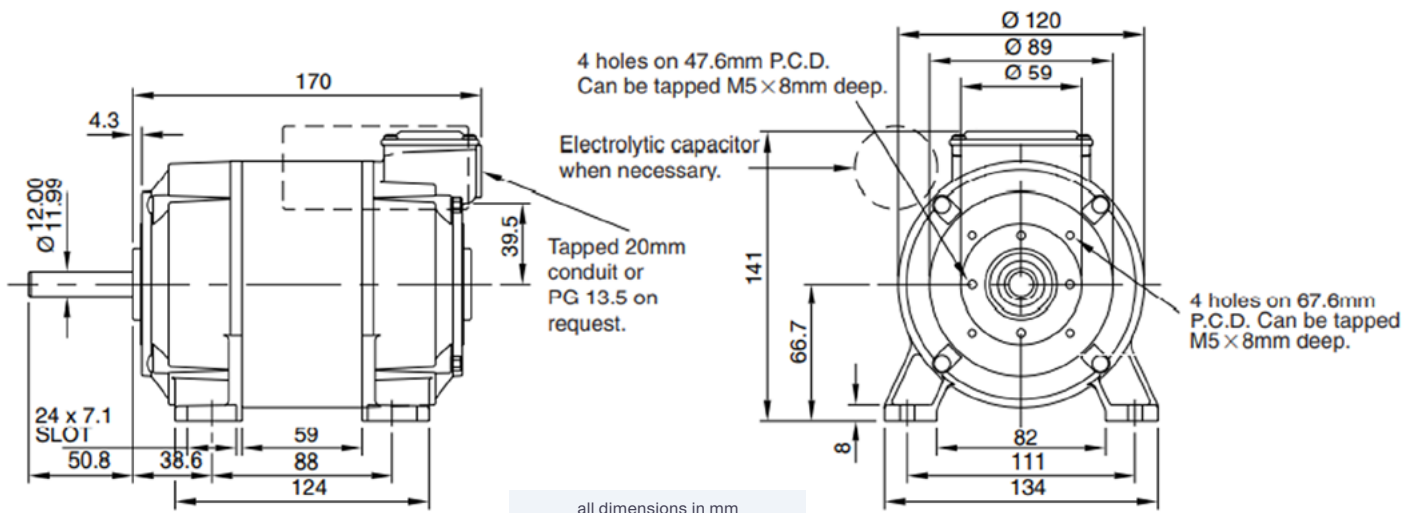


# SD48 AC motor

Ø120 mm frame // 59 mm stack

**parvalux**  
by **maxon**



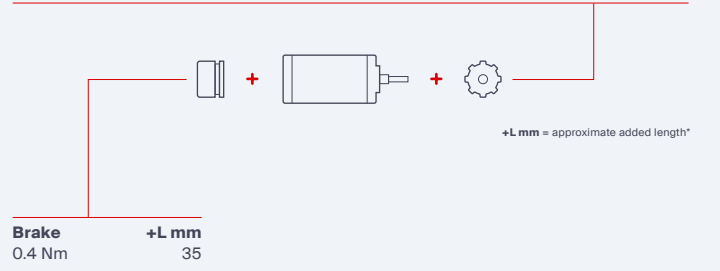
all dimensions in mm

Modular	#####	custom shaft length and diameter, shaft on both sides, special windings for specific voltages and speed, higher IP protection class, custom flanges and connectors.
Standard	#####	Brakes are not available on TEFC (Totally Enclosed Fan Cooled) motors.
Calculated data	#####	All products are built in accordance to performance tolerances from EN60034-1:2010. As continuous improvement, Parvalux periodically test their product range to ensure test results are as accurate as possible and are therefore subject to change. Please ensure you are using the latest datasheets found on our website

1 Part number	-	-	-	-	-	-	-	-	-
2 Phases		1	1	1	1	3	3	3	3
3 Frequency	<b>Hz</b>	50	50	60	60	50	50	60	60
4 Nominal voltage	<b>V AC</b>	230	230	115	115	400	400	230	230
5 Nominal power	<b>W</b>	150	190	55	100	190	250	190	250
6 Nominal speed	<b>rpm</b>	1400	2800	1700	3400	1400	2800	1700	3400
7 Nominal continuous torque (S1)	<b>Nm</b>	1.00	0.65	0.84	0.53	1.30	0.85	1.07	0.70
8 Nominal continuous current (S1)	<b>A</b>	1.70	1.70	-	-	0.50	0.75	-	-
9 Starting Current	<b>A</b>	4.25	4.25	0	0	1.25	1.88	0	0
10 Input Watts	<b>W</b>	308	324	308	324	300	400	300	400
11 Capacitor Value	<b>M.F.D</b>	40/50	40/50	40/50	40/50	-	-	-	-
12 Starting Torque Full Load	<b>%</b>	150	130	150	130	150	150	150	150
13 Stack length	<b>mm</b>	56	56	56	56	56	56	56	56
14 Number of poles		4	2	4	2	4	2	4	2
15 Rotor inertia	<b>Kg/cm²</b>	-	-	-	-	-	-	-	-

16 Ambient temperature	<b>°C</b>	40
17 Radial load [distance from flange]	<b>N [mm]</b>	200 [15]
18 Weight	<b>Kg</b>	6.5
19 Enclosure		VENT/TEFC
20 IP Rating - Ventilated		IP20
21 IP Rating - TE/TEFC		IP54
22 Insulation Class		F
23 Type		Capacitor start, asynchronous
24 Direction		Bi-directional

<b>Gearbox</b>	<b>+L mm</b>	<b>Gearbox</b>	<b>+L mm</b>	<b>Gearbox</b>	<b>+L mm</b>
M	85	LIW	102	PGS71	49 - 99
GB4/41	110	LWS	127	PGS80	52 - 102
GB12	110	LIS	108	PGS90	57 - 107
GB9	138	PGS62	44 - 90		



\*+L mm = approximate added length\*

\*additional length may also be required for mounting flange between components