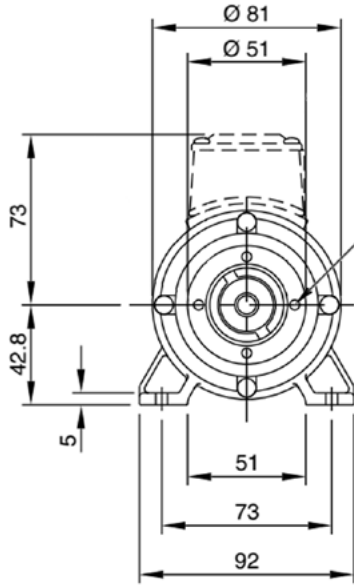


# SD41 AC motor

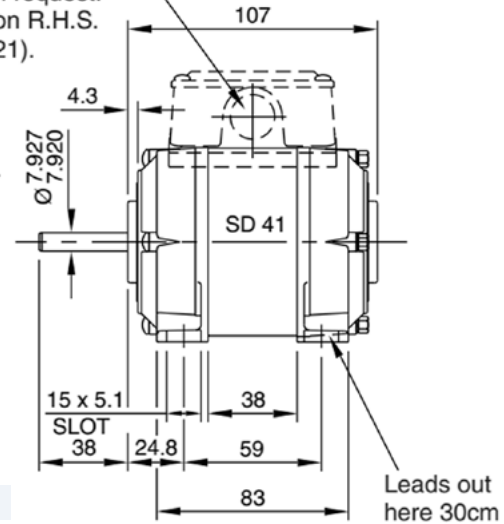
Ø81 mm frame // 38 mm stack

**parvalux**  
by **maxon**



4 holes on 41.3mm P.C.D.  
Can be tapped M5 × 8mm deep.

Optional terminal box tapped 20mm conduit or PG 13.5 on request. Standard entry position R.H.S. (Not available on SD21).



all dimensions in mm

## Part number key

Modular	#####
Standard	#####
Calculated data	#####

**Available on request:** custom shaft length and diameter, shaft on both sides, special windings for specific voltages and speed, higher IP protection class, custom flanges and connectors

**Note:** Brakes are not available on TEFC (Totally Enclosed Fan Cooled) motors.

All products are built in accordance to performance tolerances from EN60034-1:2010. As continuous improvement, Parvalux periodically test their product range to ensure test results are as accurate as possible and are therefore subject to change. Please ensure you are using the latest datasheets found on our website

## Technical data

1 Part number		-	-	-	-	-	-	-	-
2 Phases		1	1	1	1	3	3	3	3
3 Frequency	Hz	50	50	60	60	50	50	60	60
4 Nominal voltage	V AC	230	230	115	115	400	400	230	230
5 Nominal power	W	10	25	10	25	10	25	10	25
6 Nominal speed	rpm	1400	2800	1700	3400	1400	2800	1700	3400
7 Nominal continuous torque (S1)	Nm	0.07	0.09	0.06	0.07	0.09	0.10	0.07	0.08
8 Nominal continuous current (S1)	A	0.20	0.25	0.60	0.70	0.14	0.14	-	-
9 Starting Current	A	0.50	0.63	1.50	1.75	0.35	0.35	0	0
10 Input Watts	W	40	65	-	-	47	58	-	-
11 Capacitor Value	M.F.D	3	2.5	10	8.4	-	-	-	-
12 Starting Torque Full Load	%	100	100	100	100	150	150	150	150
13 Stack length	mm	38	38	38	38	38	38	38	38
14 Number of poles		4	2	4	2	4	2	4	2
15 Rotor inertia	Kg/cm <sup>2</sup>	-	-	-	-	-	-	-	-

## Thermal data

16 Ambient temperature	°C	40
------------------------	----	----

## Mechanical data

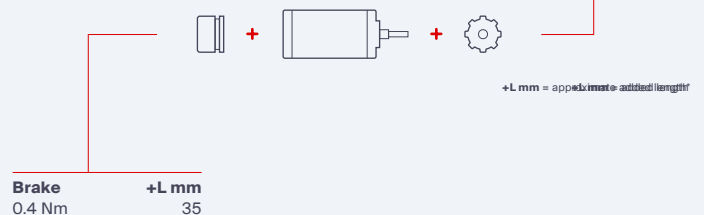
17 Radial load [distance from flange]	N [mm]	110 [15]
---------------------------------------	--------	----------

## Other data

18 Weight	Kg	2.1
19 Enclosure		VENT/TE
20 IP Rating - Ventilated		IP20
21 IP Rating - TE/TEFC		IP54
22 Insulation Class		F
23 Type		Permanent capacitor, asynchronous
24 Direction		Bi-directional

## Modular system

Gearbox	+L mm	Gearbox	+L mm
S	59	SWS	110
GB36	166	PGH52	53 - 100
GB56	103	PGS62	44 - 90
SIW	82	SS	81
SIS	72		



\*additional length may also be required for mounting flange between components