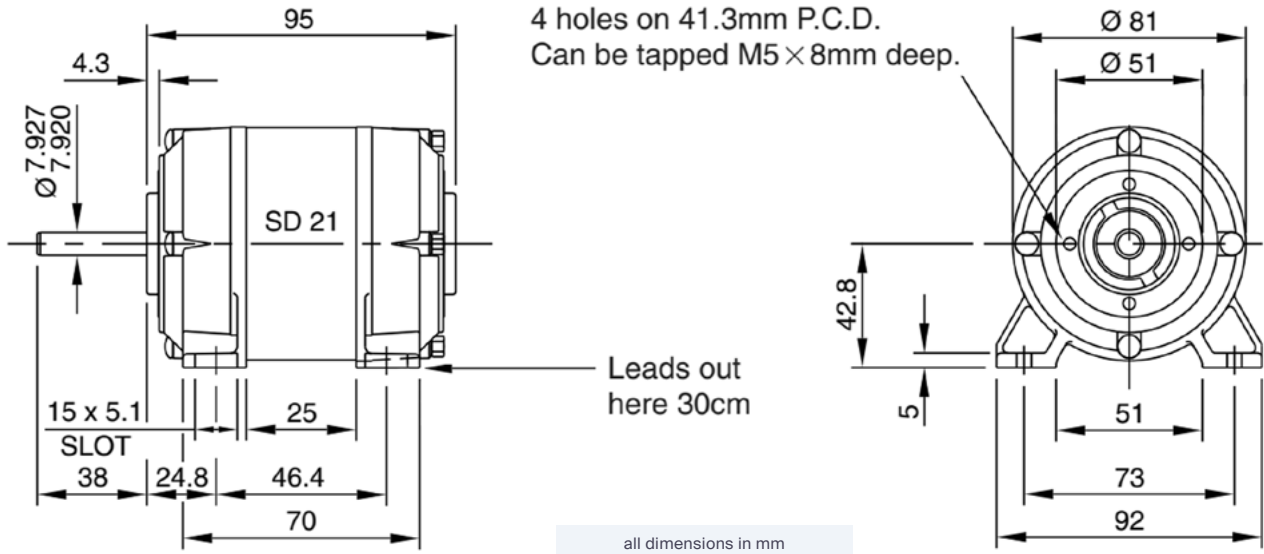


SD21 AC motor

Ø81 mm frame // 25 mm stack

parvalux
by **maxon**



Part number key	
Modular	#####
Standard	#####
Calculated data	#####

Available on request: custom shaft length and diameter, shaft on both sides, special windings for specific voltages and speed, higher IP protection class, custom flanges and connectors

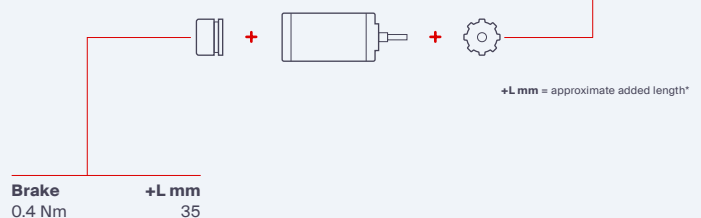
Note: Brakes are not available on TEFC (Totally Enclosed Fan Cooled) motors.

All products are built in accordance to performance tolerances from EN60034-1:2010. As continuous improvement, Parvalux periodically test their product range to ensure test results are as accurate as possible and are therefore subject to change. Please ensure you are using the latest datasheets found on our website

Technical data					
1 Part number		-	-	-	-
2 Phases		1	1	1	1
3 Frequency	Hz	50	50	60	60
4 Nominal voltage	V AC	230	230	115	230
5 Nominal power	W	8	20	8	20
6 Nominal speed	rpm	1400	2800	1700	3400
7 Nominal continuous torque (S1)	Nm	0.06	0.07	0.05	0.06
8 Nominal continuous current (S1)	A	0.18	0.34	0.42	0.60
9 Starting Current	A	0.45	0.85	1.05	1.50
10 Input Watts	W	40	80	40	80
11 Capacitor Value	M.F.D	2.5	2.0	2.0	2.0
12 Starting Torque Full Load	%	100	85	100	85
13 Stack length	mm	25	25	25	25
14 Number of poles		4	2	4	2
15 Rotor inertia	Kg/cm ²	-	-	-	-

Thermal data		Modular system	
16 Ambient temperature	°C	40	
Mechanical data			
17 Radial load [distance from flange]	N [mm]	110 [15]	
Other data			
18 Weight	Kg	1.5	
19 Enclosure		VENT/TE	
20 IP Rating - Ventilated		IP20	
21 IP Rating - TE/TEFC		IP54	
22 Insulation Class		F	
23 Type		Permanent capacitor, asynchronous	
24 Direction		Bi-directional	

Gearbox	+L mm	Gearbox	+L mm
S	59	SWS	110
GB36	166	PGS52	53 - 100
GB56	103	PGS62	44 - 90
SIW	82	SS	81
SIS	72		



*additional length may also be required for mounting flange between components