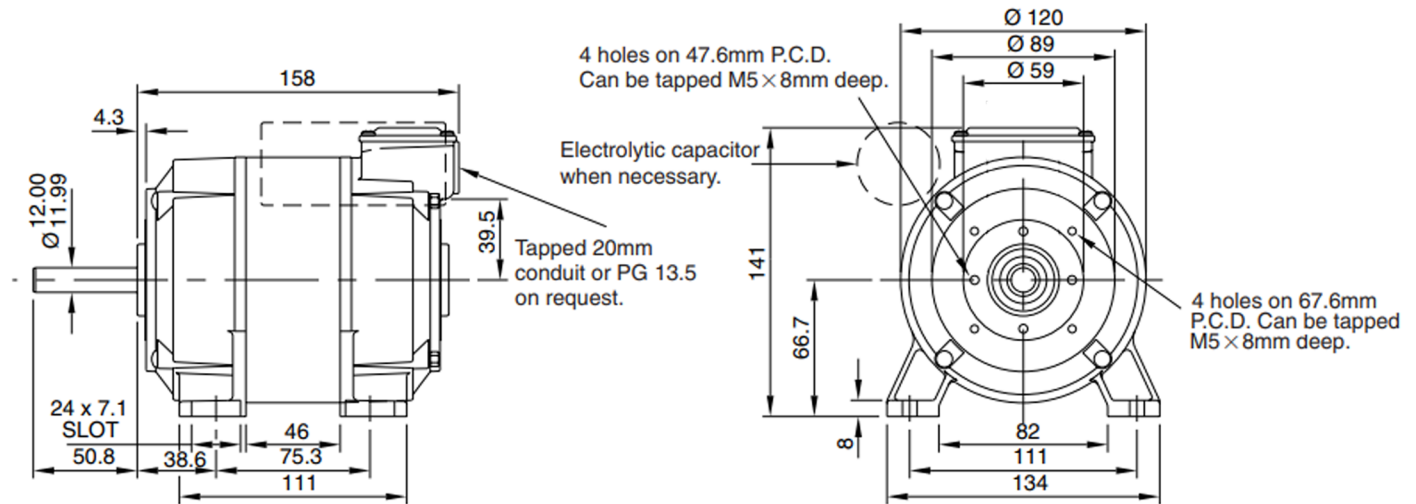


SD18 CAP start AC motor

Ø120 mm frame // 46 mm stack

PARVALUX



Part number key	
Modular	#####
Standard	#####
Special	#####

Available on request: custom shaft length and diameter, shaft on both sides, special windings for specific voltages and speed, higher IP protection class, custom flanges and connectors. Additional motor output speeds available (900 & 1200 rpm), please contact sales for further details.

Note: Brakes are not available on TEFC (Totally Enclosed Fan Cooled) motors.

All products are built in accordance to performance tolerances from EN60034-1:2010. As continuous improvement, Parvalux periodically test their product range to ensure test results are as accurate as possible and are therefore subject to change. Please ensure you are using the latest datasheets found on our website

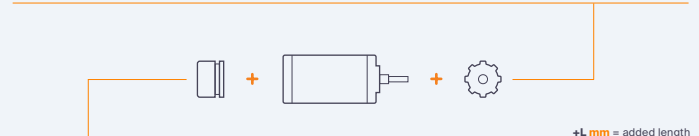
Technical data					
1 Part number		18C1.4150	18C2.8150	18C1.7160	18C3.4160
2 Phases		1	1	1	1
3 Frequency	Hz	50	50	60	60
4 Nominal voltage	V AC	230	230	115	115
5 Nominal power	W	95	125	95	125
6 Nominal speed	rpm	1400	2800	1700	3400
7 Nominal continuous torque (S1)	Nm	0.65	0.43	0.53	0.35
8 Nominal continuous current (S1)	A	1.2	1.2	-	-
9 Starting Current	A	3.0	3.0	0	0
10 Input Watts	W	170	190	170	190
11 Capacitor Value	M.F.D	40/50	40/50	40/50	40/50
12 Starting Torque Full Load	%	75	80	100	75
13 Stack length	mm	46	46	46	46
14 Number of poles		4	2	4	2
15 Rotor inertia	Kg/cm ²	-	-	-	-

Thermal data		
16 Ambient temperature	°C	40

Mechanical data		
17 Radial load [distance from flange]	N [mm]	200 [15]

Other data		
18 Weight	Kg	5.4
19 Enclosure		VENT/TEFC
20 IP Rating - Ventilated		IP20
21 IP Rating - TE/TEFC		IP54
22 Insulation Class		F
23 Type		Capacitor start, asynchronous
24 Direction		Bi-directional

Modular system					
Gearbox	+L mm	Gearbox	+L mm	Gearbox	+L mm
M	85	LIW	102	PG71	49 - 99
GB4/41	110	LWS	127	PG80	52 - 102
GB12	110	LIS	108	PG90	57 - 107
GB9	138	PG62	44 - 90		



Brake	+L mm
0.4 Nm	35