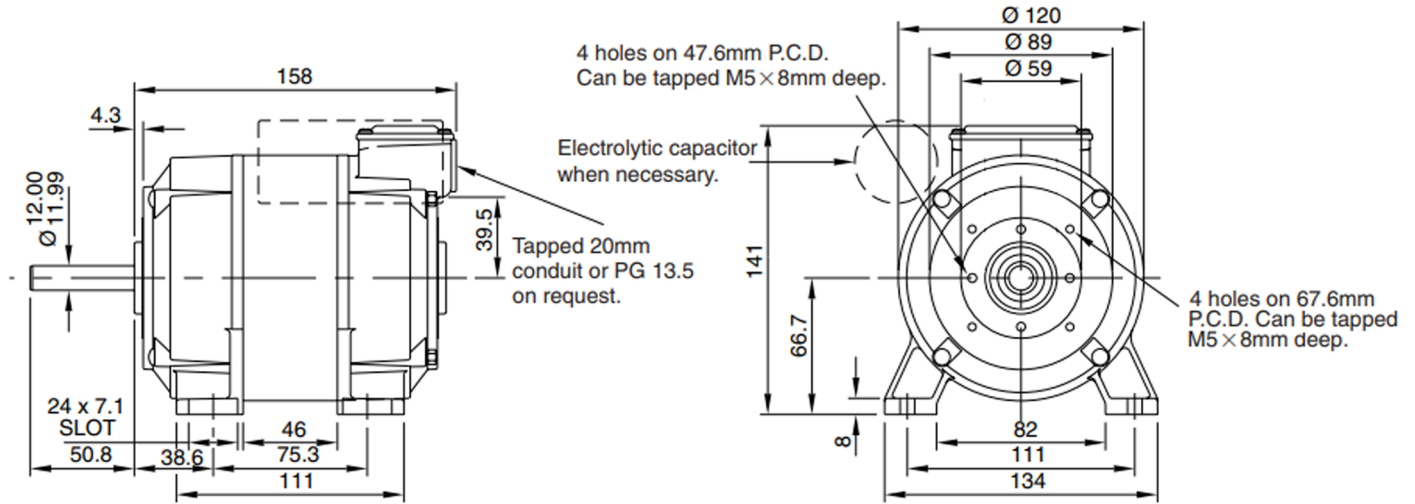


# SD18 AC motor

Ø120 mm frame // 46 mm stack

# PARVALUX



Part number key	
Modular	#####
Standard	#####
Special	#####

**Available on request:** custom shaft length and diameter, shaft on both sides, special windings for specific voltages and speed, higher IP protection class, custom flanges and connectors. Additional motor output speeds available (900 & 1200 rpm), please contact sales for further details.

**Note:** Brakes are not available on TEFC (Totally Enclosed Fan Cooled) motors.

All products are built in accordance to performance tolerances from EN60034-1:2010. As continuous improvement, Parvalux periodically test their product range to ensure test results are as accurate as possible and are therefore subject to change. Please ensure you are using the latest datasheets found on our website

Technical data									
1 Part number		181.4150	182.8150	181.7160	183.4160	181.4350	182.8350	181.7360	183.4360
2 Phases		1	1	1	1	3	3	3	3
3 Frequency	Hz	50	50	60	60	50	50	60	60
4 Nominal voltage	V AC	230	230	115	115	400	400	230	230
5 Nominal power	W	100	150	100	150	125	190	125	190
6 Nominal speed	rpm	1400	2800	1700	3400	1400	2800	1700	3400
7 Nominal continuous torque (S1)	Nm	0.68	0.51	0.56	0.42	0.85	0.65	0.70	0.53
8 Nominal continuous current (S1)	A	0.76	1.20	-	-	0.44	0.46	-	-
9 Starting Current	A	1.9	3.0	0	0	1.1	1.2	0	0
10 Input Watts	W	180	290	180	290	210	273	210	273
11 Capacitor Value	M.F.D	6.0	8.4	6.0	8.4	-	-	-	-
12 Starting Torque Full Load	%	75	80	75	80	200	200	200	200
13 Stack length	mm	46	46	46	46	46	46	46	46
14 Number of poles		4	2	4	2	4	2	4	2
15 Rotor inertia	Kg/cm <sup>2</sup>	-	-	-	-	-	-	-	-

Thermal data		Modular system			
16 Ambient temperature	°C	40			
Mechanical data					
17 Radial load [distance from flange]	N [mm]	200 [15]			
Other data					
18 Weight	Kg	5.4			
19 Enclosure		VENT/TEFC			
20 IP Rating - Ventilated		IP20			
21 IP Rating - TE/TEFC		IP54			
22 Insulation Class		F			
23 Type		Permanent capacitor, asynchronous			
24 Direction		Bi-directional			

Gearbox	+L mm	Gearbox	+L mm	Gearbox	+L mm
M	85	LIW	102	PG71	49 - 99
GB4/41	110	LWS	127	PG80	52 - 102
GB12	110	LIS	108	PG90	57 - 107
GB9	138	PG62	44 - 90		

**Brake** +L mm: 0.4 Nm, 35

+L mm = added length