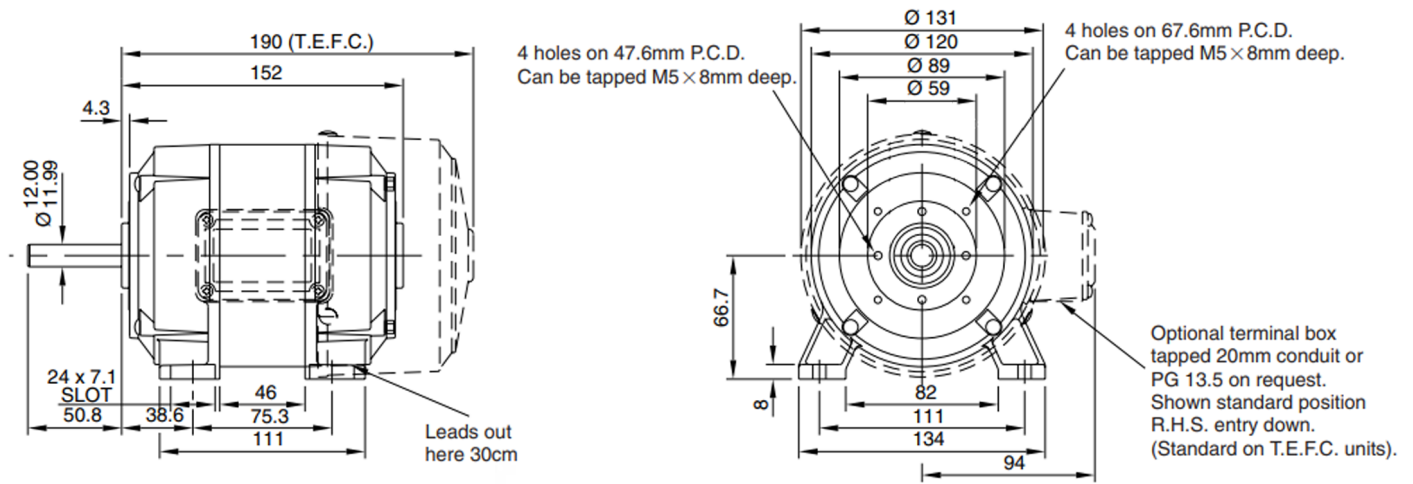


# SD13 AC motor

Ø120 mm frame // 46 mm stack

# PARVALUX



Part number key	
Modular	#####
Standard	#####
Special	#####

**Available on request:** custom shaft length and diameter, shaft on both sides, special windings for specific voltages and speed, higher IP protection class, custom flanges and connectors. Additional motor output speeds available (900 & 1200 rpm), please contact sales for further details.

**Note:** Brakes are not available on TEFC (Totally Enclosed Fan Cooled) motors.

All products are built in accordance to performance tolerances from EN60034-1:2010. As continuous improvement, Parvalux periodically test their product range to ensure test results are as accurate as possible and are therefore subject to change. Please ensure you are using the latest datasheets found on our website

Technical data									
1 Part number		131.4150	132.8150	131.7160	133.5150	131.4350	132.8350	131.7360	133.4360
2 Phases		1	1	1	1	3	3	3	3
3 Frequency	Hz	50	50	60	60	50	50	60	60
4 Nominal voltage	V AC	230	230	115	115	400	400	230	230
5 Nominal power	W	100	150	100	150	125	190	125	190
6 Nominal speed	rpm	1400	2800	1700	3400	1400	2800	1700	3400
7 Nominal continuous torque (S1)	Nm	0.68	0.51	0.56	0.42	0.85	0.65	0.70	0.53
8 Nominal continuous current (S1)	A	0.76	1.20	-	-	0.44	0.46	-	-
9 Starting Current	A	1.9	3.0	0	0	1.1	1.2	0	0
10 Input Watts	W	180	290	180	290	210	273	210	273
11 Capacitor Value	M.F.D	6.0	8.4	6.0	8.4	-	-	-	-
12 Starting Torque Full Load	%	75	80	75	80	200	200	200	200
13 Stack length	mm	46	46	46	46	46	46	46	46
14 Number of poles		4	2	4	2	4	2	4	2
15 Rotor inertia	Kg/cm <sup>2</sup>	-	-	-	-	-	-	-	-

Thermal data		
16 Ambient temperature	°C	40

Mechanical data		
17 Radial load [distance from flange]	N [mm]	200 [15]

Other data		
18 Weight	Kg	5.4
19 Enclosure	VENT/TEFC	
20 IP Rating - Ventilated	IP20	
21 IP Rating - TE/TEFC	IP54	
22 Insulation Class	F	
23 Type	Permanent capacitor, asynchronous	
24 Direction	Bi-directional	

Modular system					
<b>Gearbox</b>	<b>+L mm</b>	<b>Gearbox</b>	<b>+L mm</b>	<b>Gearbox</b>	<b>+L mm</b>
M	85	LIW	102	PG71	49 - 99
GB4/41	110	LWS	127	PG80	52 - 102
GB12	110	LIS	108	PG90	57 - 107
GB9	138	PG62	44 - 90		

**Brake** +L mm: 0.4 Nm, 35

+L mm = added length