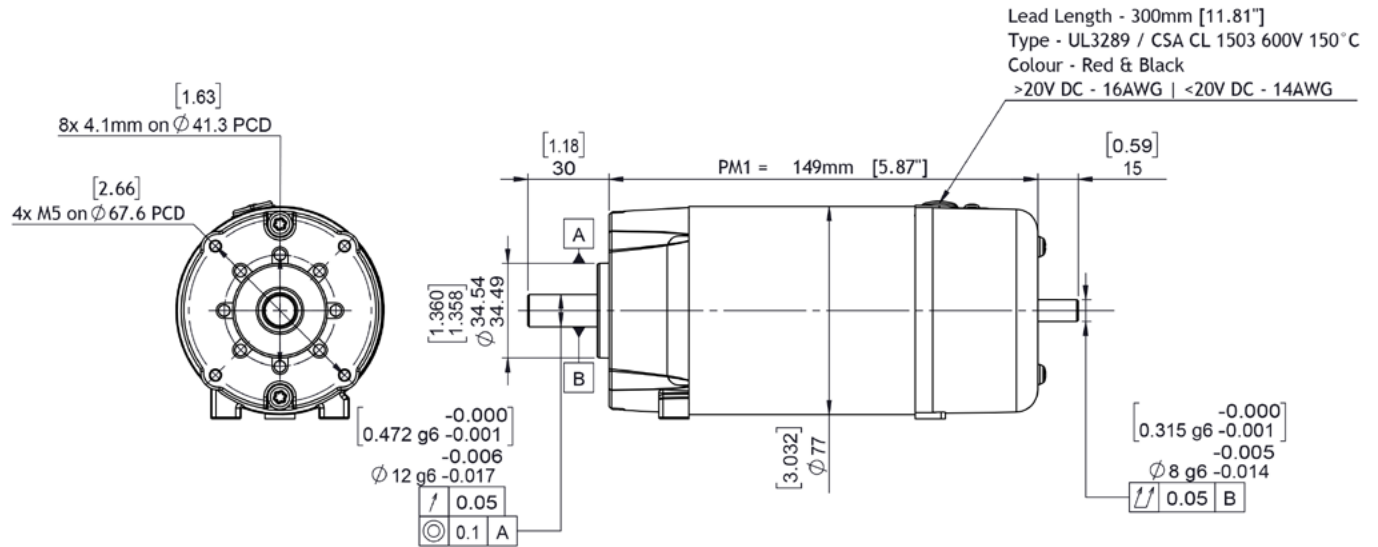


PM1 PMDC motor

Ø76 mm frame // 45 mm stack

parvalux
by **maxon**



all dimensions in mm

Part number key

Modular	#####
Standard	#####
Calculated data	#####

Available on request: Custom shaft length and diameter, shaft on both sides, special windings for specific voltages and speed, higher IP protection class, custom flanges and connectors

All products are built in accordance to performance tolerances from EN60034-1:2010. As continuous improvement, Parvalux periodically test their product range to ensure test results are as accurate as possible and are therefore subject to change. Please ensure you are using the latest datasheets found on our website

Technical data

		773352	773353	773354	773355	773356	773357
1 Part number		773352	773353	773354	773355	773356	773357
2 Nominal power	W	157	157	157	157	157	157
3 Nominal voltage	V	12	24	40	48	110	220
4 No load speed	rpm	4364	4115	3676	3870	3874	4110
5 No load current	A	1.46	1.08	0.56	0.45	0.26	0.12
6 Nominal speed	rpm	3000	3000	3000	3000	3000	3000
7 Nominal continuous torque (S1)	Nm	0.5	0.5	0.5	0.5	0.5	0.5
8 Nominal continuous current (S1)	A	22.5	10.5	5.7	4.7	2.3	1.1
9 Max. intermittent torque (S2 - 15 minutes)	Nm	0.65	0.65	0.65	0.65	0.65	0.65
10 Stall current	A	72.0	40.3	30.0	24.0	9.4	4.2
11 Stall torque	Nm	1.9	2.1	2.9	2.8	2.3	2.1
12 Stack length	mm	45	45	45	45	45	45
13 Maximum efficiency	%	69	68	71	75	63	71
14 Terminal resistance - phase to phase	Ω	0.2	0.6	1.3	2.0	11.8	52.6
15 Terminal inductance - phase to phase	mH	-	-	-	-	-	-
16 Speed constant	rpm/V	351	175	89	77	35	18
17 Torque constant	Nm/A	0.024	0.053	0.099	0.120	0.250	0.510
18 Speed torque gradient	rpm/Nm	2601	1963	1283	1398	1715	1991
19 Rotor inertia	gcm²	1260	1260	1260	1260	1260	1260

Thermal data

20 Ambient temperature	°C	40
------------------------	-----------	----

Compatible products

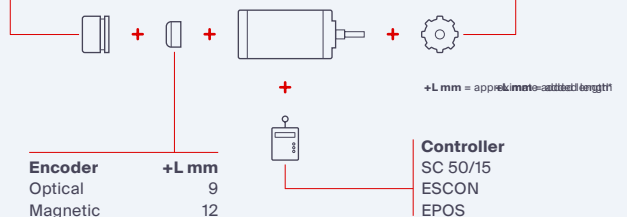
Brake	+L mm	Gearbox	+L mm	Gearbox	+L mm
1.5 Nm	28.2	M	85	LWS	127
2.0 Nm	32.4	GB12	110	LIS	108
		MIW	83	PGS71	49 - 99
		MIS	95	PGS80	52 - 102
		LIW	102		

Mechanical data

21 Radial load [distance from flange]	N [mm]	200 [15]
---------------------------------------	---------------	----------

Other data

22 Number of poles		2
23 Weight	Kg	2.1
24 IP rating		IP21
25 Enclosure		Ventilated
26 Insulation Class		F
27 Reversible		Yes



*additional length may also be required for mounting flange between components