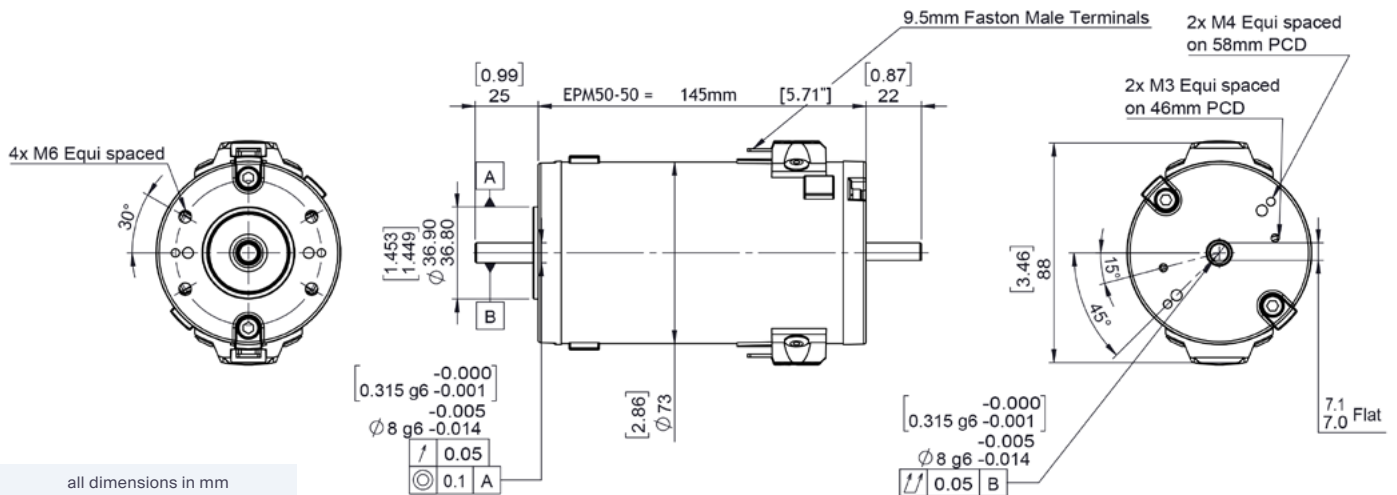


# EPM50-50 PMDC motor

Ø73 mm frame // 50 mm stack

**parvalux**  
by **maxon**



## Part number key

Modular	#####
Standard	#####
Calculated data	#####

**Available on request:** Custom shaft length and diameter, shaft on both sides, special windings for specific voltages and speed, higher IP protection class, custom flanges and connectors

All products are built in accordance to performance tolerances from EN60034-1:2010. As continuous improvement, Parvalux periodically test their product range to ensure test results are as accurate as possible and are therefore subject to change. Please ensure you are using the latest datasheets found on our website

## Technical data

1 Part number		-	-	-	-
2 Nominal power	<b>W</b>	123	123	123	123
3 Nominal voltage	<b>V</b>	12	24	40	48
4 No load speed	<b>rpm</b>	4051	3624	3579	3624
5 No load current	<b>A</b>	1.26	0.50	0.30	0.25
6 Nominal speed	<b>rpm</b>	3000	3000	3000	3000
7 Nominal continuous torque (S1)	<b>Nm</b>	0.39	0.39	0.39	0.39
8 Nominal continuous current (S1)	<b>A</b>	14.3	6.7	4.0	3.3
9 Max. intermittent torque (S3)	<b>Nm</b>	0.65	0.65	0.65	0.65
10 Stall current	<b>A</b>	77	41	24	20
11 Stall torque	<b>Nm</b>	2.3	2.5	2.5	2.5
12 Stack length	<b>mm</b>	50	50	50	50
13 Maximum efficiency	<b>%</b>	81	79	80	80
14 Terminal resistance - phase to phase	<b>Ω</b>	0.16	0.59	1.68	2.36
15 Terminal inductance - phase to phase	<b>mH</b>	-	-	-	-
16 Speed constant	<b>rpm/V</b>	1786	148	88	74
17 Torque constant	<b>Nm/A</b>	0.03	0.06	0.11	0.13
18 Speed torque gradient	<b>rpm/Nm</b>	1786	1426	1426	1426
19 Rotor inertia	<b>Kgcm<sup>2</sup></b>	2.28 x 10 <sup>-4</sup>	2.28 x 10 <sup>-4</sup>	2.28 x 10 <sup>-4</sup>	2.28 x 10 <sup>-4</sup>

## Thermal data

20 Ambient temperature	<b>°C</b>	40
------------------------	-----------	----

## Modular system

## Mechanical data

21 Radial load [distance from flange]	<b>N [mm]</b>	150 [15]
---------------------------------------	---------------	----------

## Other data

22 Number of poles		2
23 Weight	<b>Kg</b>	2.05
24 IP rating		IP44
25 Enclosure		Enclosed
26 Insulation Class		F
27 Reversible		Yes

