

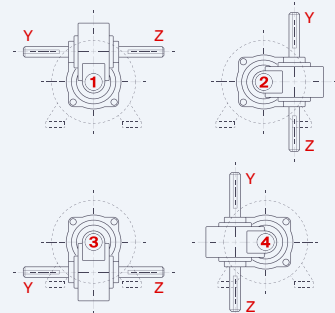
Part number key		Notes: Custom shaft available on request, max diameter 20mm. Double exit and hollow shaft (11mm bore) available. Casting finish - shot blast with m/c features (powder coating on request)										
Modular	#####	1 Other ratios available on request (:1): 6, 8, 11, 12, 13, 16, 22										
Standard	#####											
Calculated data	#####											
Technical data												
1 Part number	-	-	-	-	-	-	-	-	-	-	-	-
2 Gear ratio ¹	:1	4	5	7	9	10	14	15	18	20	25	
3 Stages		1	1	1	1	1	1	1	1	1	1	
4 Max. continuous torque (S1) ^{2,3}	Nm	4.0	4.0	4.0	4.0	4.0	4.0	4.0	4.0	4.0	4.0	
5 Max. intermittent torque ³	Nm	8.0	8.0	8.0	8.0	8.0	8.0	8.0	8.0	8.0	8.0	
6 Efficiency	%	85	84	82	80	80	76	75	73	72	68	
7 Backlash	arc.min	10-25	10-25	10-25	10-25	10-25	10-25	10-25	10-25	10-25	10-25	
8 Max. axial load (dynamic)	N	300	300	300	300	300	300	300	300	300	300	
9 Max. radial load, 12 mm from flange	N	400	400	400	400	400	400	400	400	400	400	
10 Weight	Kg	0.4	0.4	0.4	0.4	0.4	0.4	0.4	0.4	0.4	0.4	
11 Gear material		Composite	Composite	Composite	Composite	Composite	Composite	Composite	Composite	Composite	Composite	

² S1 duty cycle based on 3000 RPM input speed ³ Please refer to the thermal rating limits of the gearbox found on page 255

Compatible products

BLDC	+L mm	PMDC	+L mm	AC	+L mm
PBL60-50	90.0	BRx42-25	70.0	SD8	125.0
PBL60-70	110.0	BRx42-40	85.0	SD21	95.0
		BRx52-30	95.0	SD28	144.0
		BRx52-58	125.0	SD29	147.0
		BRx63-25	95.0	SD38	128.0
		BRx63-55	125.0	SD41	107.0
		PM7	84.0		
		PM8	97.0		
		PM9	110.0		
		PM10	107.0		
		PM11	126.0		

Gearbox output position



Key

Standard combination

Modular combination

+L mm = approximate added length*

*additional length may also be required for mounting flange between components